

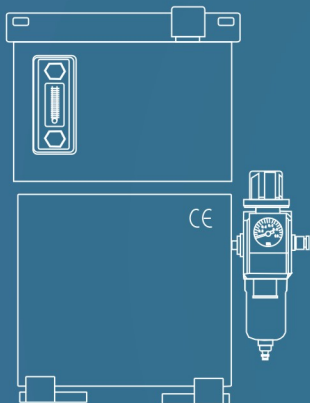
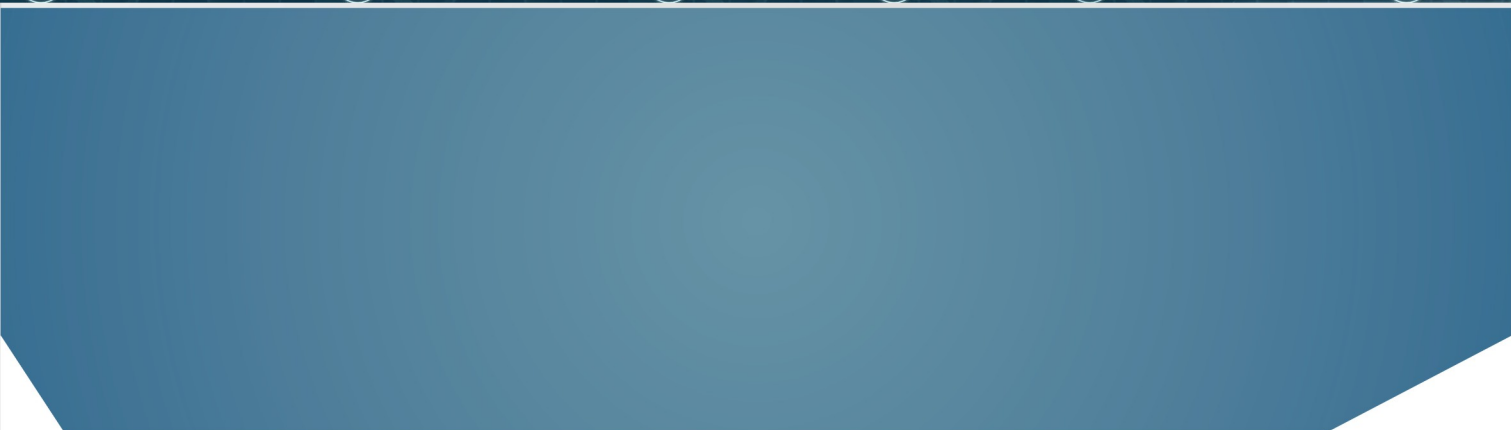


佛山永晟合拓智能裝備有限公司

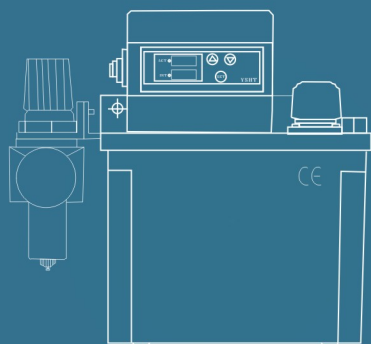
Foshan Yongshenghetuo Intelligent Equipment Co., Ltd.

機械潤滑及油霧冷卻噴霧系統製造商

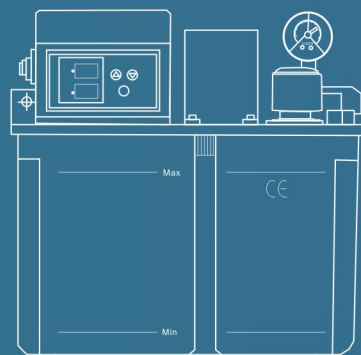
Machinery Lubrication And Oil Mist Cooling System Manufacturer



MQL精密微量噴霧泵



油氣潤滑冷卻噴霧裝置



潤滑油集中潤滑系統

齒輪式半自動稀油泵

PLC Control Oil Pump

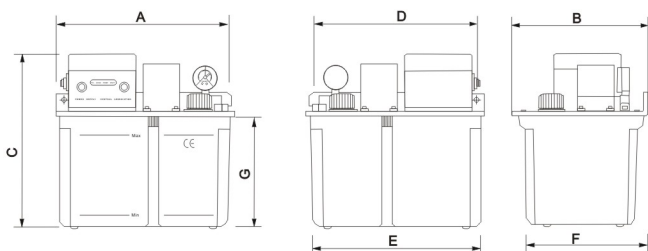


功能特點 Features

- 配有液位報警和壓力報警（可選配）。當油量或壓力不足時可將異常信號輸出。
- 面板指示燈可顯示出注油機的通電和潤滑狀態。
- 電機設自我保護功能，防止電機溫度過高導致過載。
- 配合容積式分配器或抵抗式分配器使用。
- 設有溢流閥，可保護注油機及管路由于壓力過高而損壞。
- 與機床直接聯動。
- Equipped with level switch(optional), an alarm can be issued when short of oil.
- Equipped with pressure switch(optional), an alarm can be issued when short of pressure.
- The indicator lights can show the working status.
- The motor is equipped with a self-protection function to prevent overload caused by excessive motor temperature.
- Use with detective volumetric oil distributors and resistance oil distributors.
- Equipped with relief valve to protect the lubricator and pipeline.
- Equipped with a fuse inside to prevent the main board and motor from being burnt due to excessive current.
- PLC Control.

尺寸圖

Dimensional drawings



規格表

Specifications

型號 Model	A(mm)	B(mm)	C(mm)	D(mm)	E(mm)	F(mm)	G(mm)
1 Liter	175	120	202	115	138	98	108
1.5 Liter	168	115	256	155	165	109	130
2 Liter	208	130	283	189	220	126	150
3 Liter	210	150	265	189	220	126	155
4 Liter	280	168	245	265	260	150	157
5 Liter	305	168	245	265	260	150	157
6 Liter	320	168	245	265	260	150	157
8 Liter	300	240	250	340	300	220	150
20 Liter	445	280	300	415	425	300	210

型號 Model	TZ2204	TZ2234	TZ2264
容量 Reservoir capacity	2L/4L/8L/20L	2L/4L/8L/20L	2L/4L/8L/20L
控制方式 Control type	PLC	Timer	Timer
用脂範圍 Lubricant Viscosity	30-1200 CST.	30-1200 CST.	30-1200 CST.
電壓 Voltage	380V	380V	380V
功率 Power	45W	45W	45W
最高工作壓力 Max.pressure	2.5MPa	2.5MPa	2.5MPa
流量 Discharge volume	150CC/MIN	150CC/MIN	150CC/MIN
程控器 Digital display	×	Single line digit	Double line digit
液位報警 Level switch	✓	✓	✓
壓力報警 Pressure relief valve	选配 Optional	选配 Optional	选配 Optional
出油口規格 Outlet thread	M10X1 (卡套式 C6)	M10X1 (卡套式 C6)	M10X1 (卡套式 C6)

齒輪式半自動稀油泵

PLC Control Oil Pump

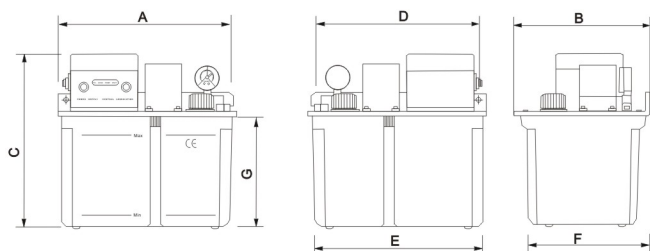


功能特點 Features

- 配有液位報警和壓力報警（可選配）。當油量或壓力不足時可將異常信號輸出。
- 面板指示燈可顯示出注油機的通電和潤滑狀態。
- 電機設自我保護功能，防止電機溫度過高導致過載。
- 配合容積式分配器或抵抗式分配器使用。
- 設有溢流閥，可保護注油機及管路由于壓力過高而損壞。
- 與機床直接聯動。
- Equipped with level switch(optional), an alarm can be issued when short of oil.
- Equipped with pressure switch(optional), an alarm can be issued when short of pressure.
- The indicator lights can show the working status.
- The motor is equipped with a self-protection function to prevent overload caused by excessive motor temperature.
- Use with detective volumetric oil distributors and resistance oil distributors.
- Equipped with relief valve to protect the lubricator and pipeline.
- Equipped with a fuse inside to prevent the main board and motor from being burnt due to excessive current.
- PLC Control.

尺寸圖

Dimensional drawings



規格表

Specifications

型號 Model	A(mm)	B(mm)	C(mm)	D(mm)	E(mm)	F(mm)	G(mm)
1 Liter	175	120	202	115	138	98	108
1.5 Liter	168	115	256	155	165	109	130
2 Liter	208	130	283	189	220	126	150
3 Liter	210	150	265	189	220	126	155
4 Liter	280	168	245	265	260	150	157
5 Liter	305	168	245	265	260	150	157
6 Liter	320	168	245	265	260	150	157
8 Liter	300	240	250	340	300	220	150
20 Liter	445	280	300	415	425	300	210

型號 Model	TZ2202	TZ2232	TZ2262
容量 Reservoir capacity	1/2/3/4/5/6/8/20L	1/2/3/4/5/6/8/20L	2/3/4/5/6/8/20L
控制方式 Control type	PLC	Timer	Timer
用脂範圍 Lubricant Viscosity	30-1200 CST.	30-1200 CST.	30-1200 CST.
電壓 Voltage	110V/220V	110V/220V	110V/220V
功率 Power	25W	25W	25W
最高工作壓力 Max.pressure	2.5MPa	2.5MPa	2.5MPa
流量 Discharge volume	140CC/MIN	140CC/MIN	140CC/MIN
程控器 Digital display	×	Single line digit	Double line digit
液位報警 Level switch	✓	✓	✓
壓力報警 Pressure relief valve	选配 Optional	选配 Optional	选配 Optional
出口口規格 Outlet thread	M10X1 (卡套式 C6)	M10X1 (卡套式 C6)	M10X1 (卡套式 C6)

齒輪式全自動稀油泵

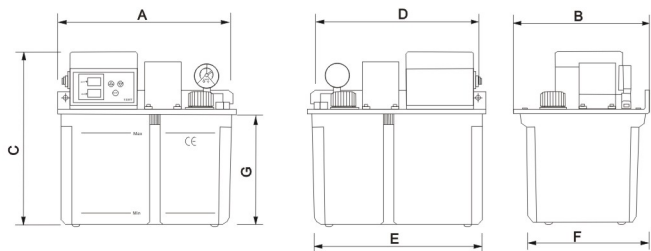
Fully Automatic Oil Pump

功能特點 Features

- 配有液位報警和壓力報警（可選配）。當油量或壓力不足時可將異常信號輸出。ERP顯示壓力不足，ERO顯示液位不足。
- 面板指示燈可顯示出注油機的通電和潤滑狀態。
- 電機設自我保護功能，防止電機溫度過高導致過載。
- 配合容積式分配器或抵抗式分配器使用。
- 設有溢流閥，可保護注油機及管路由于壓力過高而損壞。
- 內部配有保險絲防止因短路導致電流過大燒壞主板和電機。
- 潤滑時間和間隙時間均可調整，潤滑時間1-999（秒），間隙時間1-999（分/秒）可轉換。
- Equipped with level switch(optional), an alarm can be issued when short of oil.
- Equipped with pressure switch(optional), an alarm can be issued when short of pressure.
- The indicator lights can show the working status.
- The motor is equipped with a self-protection function to prevent overload caused by excessive motor temperature.
- Use with detective volumetric oil distributors and resistance oil distributors.
- Equipped with relief valve to protect the lubricator and pipeline.
- Equipped with a fuse inside to prevent the main board and motor from being burnt due to excessive current.
- Lubricating time and intermittent time can be adjusted, lubricating time range from 1-999 seconds, intermittent time range from 1-999 seconds/minutes.

尺寸圖

Dimensional drawings



規格表

Specifications

型號 Model	A(mm)	B(mm)	C(mm)	D(mm)	E(mm)	F(mm)	G(mm)
1 Liter	175	120	202	115	138	98	108
1.5 Liter	168	115	256	155	165	109	130
2 Liter	208	130	283	189	220	126	150
3 Liter	210	150	265	189	220	126	155
4 Liter	280	168	245	265	260	150	157
5 Liter	305	168	245	265	260	150	157
6 Liter	320	168	245	265	260	150	157
8 Liter	300	240	250	340	300	220	150
20 Liter	445	280	300	415	425	300	210

型號 Model	TZ2202	TZ2232	TZ2262
容量 Reservoir capacity	1/2/3/4/5/6/8/20L	1/2/3/4/5/6/8/20L	2/3/4/5/6/8/20L
控制方式 Control type	PLC	Timer	Timer
用脂範圍 Lubricant Viscosity	30-1200 CST.	30-1200 CST.	30-1200 CST.
電壓 Voltage	110V/220V	110V/220V	110V/220V
功率 Power	25W	25W	25W
最高工作壓力 Max.pressure	2.5MPa	2.5MPa	2.5MPa
流量 Discharge volume	140CC/MIN	140CC/MIN	140CC/MIN
程控器 Digital display	×	Single line digit	Double line digit
液位報警 Level switch	✓	✓	✓
壓力報警 Pressure relief valve	选配 Optional	选配 Optional	选配 Optional
出口口規格 Outlet thread	M10X1 (卡套式 C6)	M10X1 (卡套式 C6)	M10X1 (卡套式 C6)

齒輪式全自動稀油泵

Fully Automatic Oil Pump

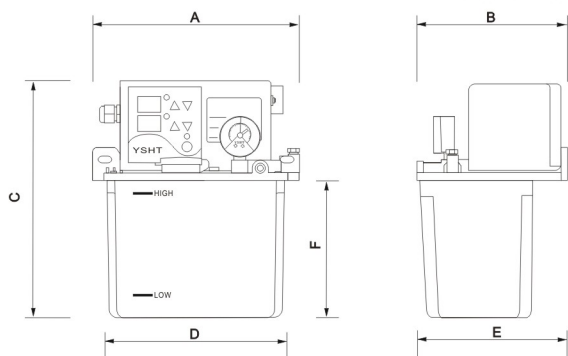
功能特點 Features



- 配有液位報警和壓力報警（可選配）。當油量或壓力不足時可將異常信號輸出。ERP顯示壓力不足，ERO顯示液位不足。
- 面板指示燈可顯示出注油機的通電和潤滑狀態。
- 配合容積式分配器或抵抗式分配器使用。
- 設有溢流閥，可保護注油機及管路由于壓力過高而損壞。
- 潤滑時間和間隙時間均可調整，潤滑時間1-999（秒），間隙時間1-999（分/秒）可轉換。
- Equipped with level switch(optional), an alarm can be issued when short of oil.
- Equipped with pressure switch(optional), an alarm can be issued when short of pressure.
- The indicator lights can show the working status.
- The motor is equipped with a self-protection function to prevent overload caused by excessive motor temperature.
- Use with detective volumetric oil distributors and resistance oil distributors.
- Equipped with relief valve to protect the lubricator and pipeline.
- Equipped with a fuse inside to prevent the main board and motor from being burnt due to excessive current.
- Lubricating time and intermittent time can be adjusted, lubricating time range from 1-999 seconds, intermittent time range from 1-999 seconds/minutes.

尺寸圖

Dimensional drawings



型號 Model	A(mm)	B(mm)	C(mm)	D(mm)	E(mm)	F(mm)
2 Liter	205	138	250	168-185	138	150
3 Liter	228	165	270	175-210	165	150
4 Liter	295	170	270	248-282	170	150
8 Liter	352	210	330	338	210	150

規格表

Specifications

型號 Model	YET-A1/A2	YET-A1P1/A2P2
容量 Reservoir capacity	2L/3L/4L/8L	2L/3L/4L/8L
控制方式 Control type	Timer	Timer
用脂範圍 Lubricant Viscosity	30-1200 CST.	30-1200 CST.
電壓 Voltage	24V/110V/220V	24V/110V/220V
功率 Power	100W	100W
最高工作壓力 Max.pressure	2.5MPa	2.5MPa
流量 Discharge volume	150CC/MIN	150CC/MIN
程控器 Digital display	✓	✓
液位報警 Level switch	✓	✓
壓力報警 Pressure relief valve	×	✓
出油口規格 Outlet thread	M10X1 (卡套式 C6)	M10X1 (卡套式 C6)

齒輪式半自動稀油泵

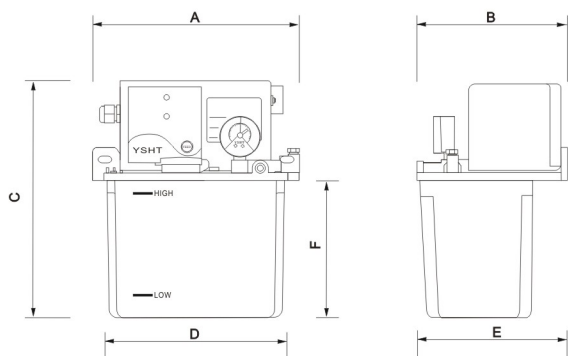


功能特點 Features

- 配有液位報警和壓力報警（可選配）。當油量或壓力不足時可將異常信號輸出。ERP顯示壓力不足，ERO顯示液位不足。
- 面板指示燈可顯示出注油機的通電和潤滑狀態。
- 電機設自我保護功能，防止電機溫度過高導致過載。
- 配合容積式分配器或抵抗式分配器使用。
- 設有溢流閥，可保護注油機及管路由于壓力過高而損壞。
- Equipped with level switch(optional), an alarm can be issued when short of oil.
- Equipped with pressure switch(optional), an alarm can be issued when short of pressure.
- The indicator lights can show the working status.
- The motor is equipped with a self-protection function to prevent overload caused by excessive motor temperature.
- Use with detective volumetric oil distributors and resistance oil distributors.
- Equipped with relief valve to protect the lubricator and pipeline.
- Equipped with a fuse inside to prevent the main board and motor from being burnt due to excessive current.
- PLC Control.

尺寸圖

Dimensional drawings



型號 Model	A(mm)	B(mm)	C(mm)	D(mm)	E(mm)	F(mm)
2 Liter	205	138	250	168-185	138	150
3 Liter	228	165	270	175-210	165	150
4 Liter	295	170	270	248-282	170	150
8 Liter	352	210	330	338	210	150

規格表

Specifications

型號 Model	YET-B2/C2	YET-B2P2/C2P2
容量 Reservoir capacity	2L/3L/4L/8L	2L/3L/4L/8L
控制方式 Control type	PLC	PLC
用脂範圍 Lubricant Viscosity	30-1200 CST.	30-1200 CST.
電壓 Voltage	24V/110V/220V	24V/110V/220V
功率 Power	100W	100W
最高工作壓力 Max.pressure	2.5MPa	2.5MPa
流量 Discharge volume	150CC/MIN	150CC/MIN
程控器 Digital display	×	×
液位報警 Level switch	✓	✓
壓力報警 Pressure relief valve	×	✓
出油口規格 Outlet thread	M10X1 (卡套式 \varnothing 6)	M10X1 (卡套式 \varnothing 6)

連續型半自動稀油泵

Continuously Workable PLC Control Oil Pump

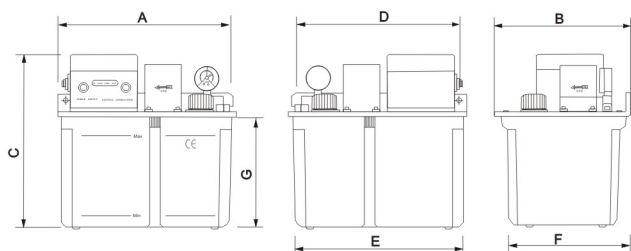
功能特點 Features



- 配有液位報警和壓力報警（可選配）。當油量或壓力不足時可將異常信號輸出。
- 面板指示燈可顯示出注油機的通電和潤滑狀態。
- 電機設自我保護功能，防止電機溫度過高導致過載。
- 配合容積式分配器或抵抗式分配器使用。
- 設有溢流閥，可保護注油機及管路由于壓力過高而損壞。
- 與機床直接聯動。
- 電機可連續運轉。
- Equipped with level switch(optional), an alarm can be issued when short of oil.
- Equipped with pressure switch(optional), an alarm can be issued when short of pressure.
- The indicator lights can show the working status.
- The motor is equipped with a self-protection function to prevent overload caused by excessive motor temperature.
- Use with detective volumetric oil distributors and resistance oil distributors.
- Equipped with relief valve to protect the lubricator and pipeline.
- Equipped with a fuse inside to prevent the main board and motor from being burnt due to excessive current.
- PLC Control, Can continuously work.

尺寸圖

Dimensional drawings



型號 Model	A(mm)	B(mm)	C(mm)	D(mm)	E(mm)	F(mm)	G(mm)
2 Liter	208	130	283	189	220	126	150
4 Liter	280	168	245	265	260	150	157
8 Liter	300	240	250	340	300	220	150
20 Liter	445	280	300	415	425	300	210

規格表

Specifications

型號 Model	YAC-B2	YAC-B2P2
容量 Reservoir capacity	4L/8L/20L	4L/8L/20L
控制方式 Control type	PLC	PLC
用脂範圍 Lubricant Viscosity	30-1200 CST.	30-1200 CST.
電壓 Voltage	220V	220V
功率 Power	100W	100W
最高工作壓力 Max.pressure	2.5MPa	2.5MPa
流量 Discharge volume	180CC/MIN	180CC/MIN
程控器 Digital display	×	×
液位報警 Level switch	✓	✓
壓力報警 Pressure relief valve	×	✓
出油口規格 Outlet thread	M10X1 (卡套式 \varnothing 6)	M10X1 (卡套式 \varnothing 6)

連續型全自動稀油泵

Continuously Workable Fully Automatic Oil Pump

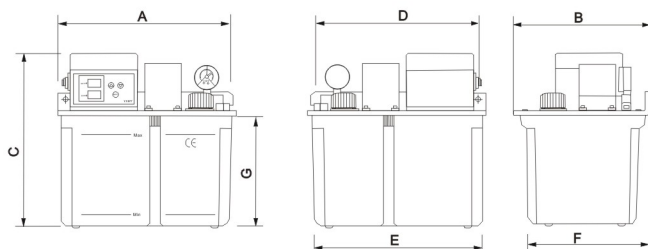
功能特點 Features



- 配有液位報警和壓力報警（可選配）。當油量或壓力不足時可將異常信號輸出。ERP顯示壓力不足，ERO顯示液位不足。
- 面板指示燈可顯示出注油機的通電和潤滑狀態。
- 電機設自我保護功能，防止電機溫度過高導致過載。
- 配合容積式分配器或抵抗式分配器使用。
- 設有溢流閥，可保護注油機及管路由于壓力過高而損壞。
- 電機可連續運轉。
- 潤滑時間和間隙時間均可調整，潤滑時間1-999（秒），間隙時間1-999（分/秒）可轉換。
- Equipped with level switch(optional), an alarm can be issued when short of oil.
- Equipped with pressure switch(optional), an alarm can be issued when short of pressure.
- The indicator lights can show the working status.
- The motor is equipped with a self-protection function to prevent overload caused by excessive motor temperature.
- Use with detective volumetric oil distributors and resistance oil distributors.
- Equipped with relief valve to protect the lubricator and pipeline.
- Can continuously work
- Lubricating time and intermittent time can be adjusted, lubricating time range from 1-999 seconds, intermittent time range from 1-999 seconds/minutes.

尺寸圖

Dimensional drawings



型號 Model	A(mm)	B(mm)	C(mm)	D(mm)	E(mm)	F(mm)	G(mm)
2 Liter	208	130	283	189	220	126	150
4 Liter	280	168	245	265	260	150	157
8 Liter	300	240	250	340	300	220	150
20 Liter	445	280	300	415	425	300	210

型號 Model	YAE-A2	YAE-A2P2
容量 Reservoir capacity	4L/8L/20L	4L/8L/20L
控制方式 Control type	Timer	Timer
用脂範圍 Lubricant Viscosity	30-1200 CST.	30-1200 CST.
電壓 Voltage	220V	220V
功率 Power	100W	100W
最高工作壓力 Max.pressure	2.5MPa	2.5MPa
流量 Discharge volume	180CC/MIN	180CC/MIN
程控器 Digital display	✓	✓
液位報警 Level switch	✓	✓
壓力報警 Pressure relief valve	×	✓
出油口規格 Outlet thread	M10X1 (卡套式 C6)	M10X1 (卡套式 C6)

全自動稀油泵

Fully Automatic Oil Pump

規格表

Specifications



型號 Model	TZ2232-410X	TZ2202-410X
容量 Reservoir capacity	4L/8L	4L/8L
控制方式 Control type	Timer	PLC
用脂範圍 Lubricant Viscosity	30-1200 CST.	30-1200 CST.
電壓 Voltage	220V/110V	220V/110V
功率 Power	100W	100W
最高工作壓力 Max.pressure	2.5MPa	2.5MPa
流量 Discharge volume	180CC/MIN	180CC/MIN
程控器 Digital display	✓	×
液位報警 Level switch	✓	✓
壓力報警 Pressure relief valve	✓	✓
出油口規格 Outlet thread	M10X1 (卡套式 C6)	M10X1 (卡套式 C6)

Equipped with level switch(optional), an alarm can be issued when short of oil.

Equipped with pressure switch(optional), an alarm can be issued when short of pressure.

The indicator lights can show the working status.

The motor is equipped with a self-protection function to prevent overload caused by excessive motor temperature.

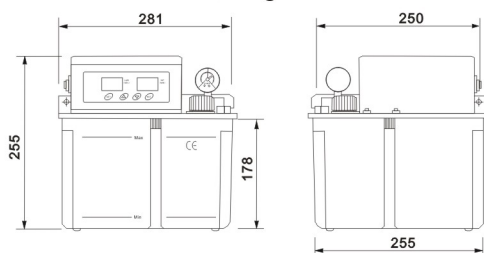
Use with detective volumetric oil distributors and resistance oil distributors.

Equipped with relief valve to protect the lubricator and pipeline.

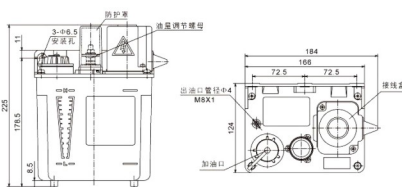
Lubricating time and intermittent time can be adjusted, lubricating time range from 1-999 seconds, intermittent time range from 1-999 seconds/minutes.

尺寸圖

Dimensional drawings



間歇泵/電磁泵



型號 Model	TM6*
容量 Reservoir capacity	1.8L
間歇時間 Intermittent Timer (min)	15min/30min/60min
電壓 Voltage	220V/110V
功率 Power	4W
最高工作壓力 Max.pressure	0.3MPa
流量 Discharge volume	55CC/MIN
液位報警 Level switch	✓
壓力報警 Pressure relief valve	✓
出油口規格 Outlet thread	M8X1 (卡套式 C4)

功能特點 Features

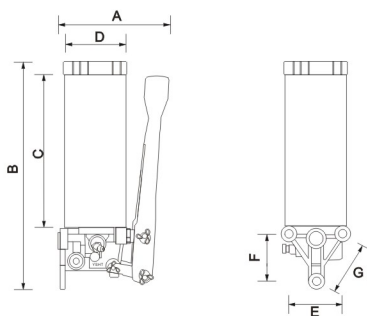


- 全自動數顯設置電磁泵。
- 壓力低，出油量準確。
- 設有低油位報警信號。
- 配合抵抗式分配器使用。
- 適用於潤滑系統較簡單的機械。
- Use Oil 46-68cst.
- Use Resistant distributor.
- Easy to operate.

型號 Model	EP2262	DC1100/2200
容量 Reservoir capacity	1L/2L	×
控制方式 Control type	Timer	PLC
用脂範圍 Lubricant Viscosity	46-68CST.	46-68CST.
電壓 Voltage	220V	110V/220V
功率 Power	25W	25W
最高工作壓力 Max.pressure	1.2MPa	1.2MPa
流量 Discharge volume	110CC/MIN	110CC/MIN
程控器 Digital display	✓	×
液位報警 Level switch	✓	×
壓力報警 Pressure relief valve	×	×
出油口規格 Outlet thread	M8X1 (卡套式 C4)	M8X1 (卡套式 C4)

手動黃油泵/稀油泵

Hand Operated Oil Pump



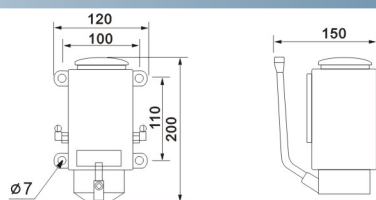
型號 Model	A(mm)	B(mm)	C(mm)	D(mm)	E(mm)	F(mm)	G(mm)
CLHA-10	125	320	150	70	70	85	85
CLHA-20	125	320	170	85	70	85	85
CLHA-30	125	320	210	85	70	85	85
CLHP-160	146	306	190	111	70	85	85

功能特點 Features

- 具良好密和度之壓油鐵，使油料不殘留于杯內。
- 成本經濟，適用之機械設備多元，實用性高。
- 以把手反覆操作送油，操作簡便。
- 適用之黃油黏度為NLGI 0號、00號、000號。
- Use grease NLGI No.000-1.
- Refill with grease gun only.
- Repeated operation , easy to operate.

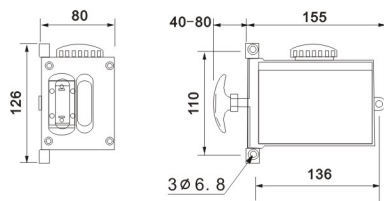
型號 Model	CLHA-10	CLHA-20	CLHA-30	CLHP-160
容量 Reservoir capacity	0.3L	0.6L	0.8L	1.6L
用脂範圍 Lubricant Viscosity	00-1#	00-1#	00-1#	00-2#
最高工作壓力 Max.pressure	10Mpa	10Mpa	10Mpa	15Mpa
流量 Discharge volume	1.2CC	1.2CC	1.8CC	2.2CC
出油口規格 Outlet thread	M10*1	M10*1	M10*1	M10*1

手搖式注油機



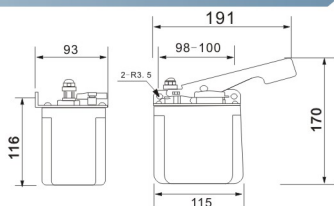
型號 Model	Y-6	Y-8
容量 Reservoir capacity	350	500
用脂範圍 Lubricant Viscosity	30-68CST.	30-68CST.
最高工作壓力 Max.pressure	1.5Mpa	1.5Mpa
流量 Discharge volume	6	8
出油口規格 Outlet thread	M10*1(default)	M10*1(default)

手拉式注油機



型號 Model	LSP-8	HD-3
容量 Reservoir capacity	600	100
用脂範圍 Lubricant Viscosity	20-150CST.	20-150CST.
最高工作壓力 Max.pressure	0.35Mpa	0.35Mpa
流量 Discharge volume	8	4
出油口規格 Outlet thread	M10*1(default)	M10*1(default)

手拉式注油機



功能特點 Features

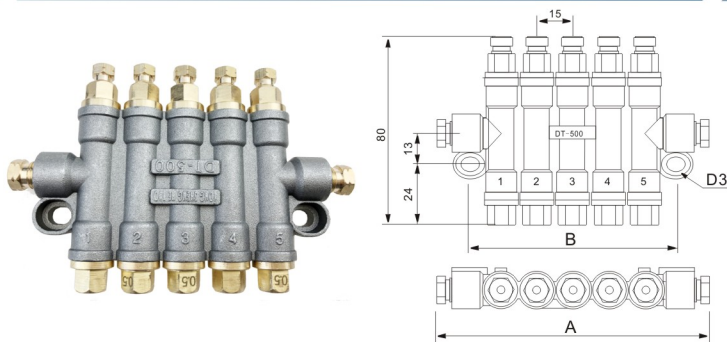
- 體積小、安裝方便、使用簡易。Use Oil 46-68cst.
配合抵抗式分配器使用。Use Resistant distributor.
適用於潤滑系統較簡單的機械。easy to operate.

型號 Model	容量 Reservoir capacity	用脂範圍 Lubricant Viscosity	最高工作壓力 Max.pressure	流量 Discharge volume	手壓形式 Operation	出油口規格 Outlet thread
HP-5L	500	30-68CST.	1.5Mpa	3-5CC	Left	4mm or 6mm
HP-5R	500	30-68CST.	1.5Mpa	3-5CC	Right	4mm or 6mm
HP-5M	500	30-68CST.	1.5Mpa	3-5CC	Middle	4mm or 6mm

稀油容積式分配器

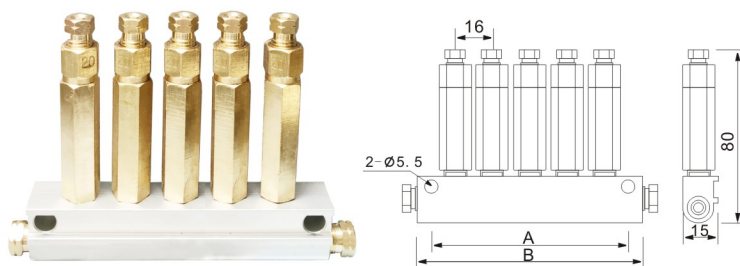
Detective volumetric distributor

DT脫壓定量出油 Positive Displacement Injector System Distributor



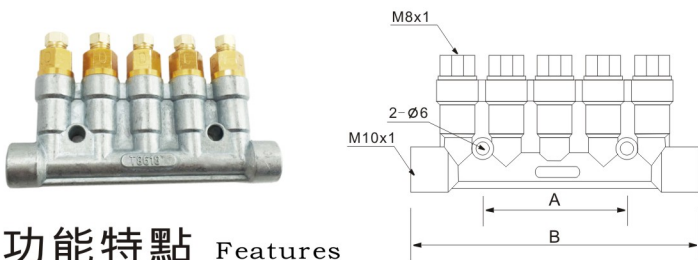
型號 Model	出油口數 Outlets	流量 Flow rate	重量(g) Weight	A	B
DT-200	2	0.06 0.1 0.2 0.3 0.4 0.5	168	78	39
DT-300	3		232	93	54
DT-400	4		299	108	69
DT-500	5		359	123	84
DT-600	6		400	138	99

DGG加壓定量出油 Positive Displacement Injector System Distributor



型號 Model	出油口數 Outlets	流量 Flow rate	重量(g) Weight	A	B
DGG-100	1	0.06 0.16 0.2 0.3 0.4 0.5	83	7	35
DGG-200	2		127	36	49
DGG-300	3		178	52	65
DGG-400	4		232	68	81
DGG-500	5		283	84	97
DGG-600	6		339	100	113
DGG-700	7		383	116	129
DGG-800	8		436	132	145
DGG-900	9		477	148	161
DGG-1000	10		541	164	177
DGG-1100	11		532	180	193
DGG-1200	12		632	196	209

T86加壓定量出油 Positive Displacement Injector System Distributor

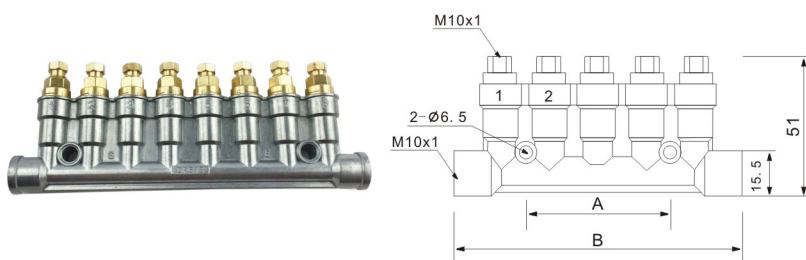


型號 Model	出油口數 Outlets	流量 Flow rate	重量(g) Weight	A	B
T8616	2	0.1 0.16	84	6	46
T8617	3		120	17	63
T8619	4		157	34	80
T8618	5	0.1 0.2 0.4 0.6	200	51	97
T8622	2		137	6	46
T8623	3		204	17	63
T8620	4		252	34	80
T8624	5		305	51	97

功能特點 Features

- 每次固定量精確供給潤滑部位。
- 不因油品黏度及打油時間長短影響流量。
- 配合容積式注油機使用。
- Each fixed amount is accurately supplied to the lubrication part.
- The flow rate is not affected by the viscosity of the oil and the length of oiling time.
- Used with positive displacement oiler.

DPB加壓定量出油 Positive Displacement Distributor



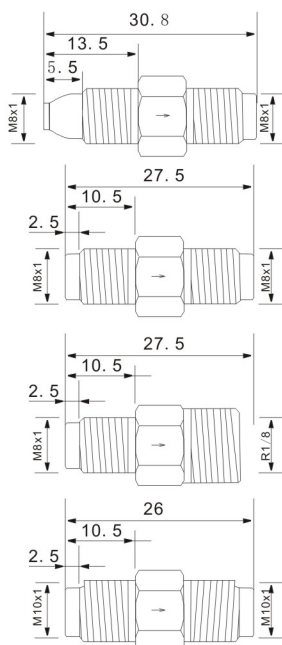
型號 Model	出油口數 Outlets	流量 Flow rate	重量(g) Weight	A	B
DPB-12	2	0.1 0.16 0.2 0.4	86	6.5	48
DPB-13	3		123	17	65
DPB-14	4		157	34	82
DPB-15	5		198	51	99
DPB-16	6		230	68	116
DPB-18	8		292	102	150
DPB-110	10		359	136	184

型號 Model	出油口數 Outlets	流量 Flow rate	重量(g) Weight	A	B
DPB-22	2	0.1 0.16 0.2 0.4	137	6	46
DPB-23	3		204	17	63
DPB-24	4		252	34	80
DPB-25	5		305	51	97
DPB-26	6		408	68	114
DPB-28	8		504	102	148
DPB-210	10		610	136	182

稀油抵抗式分配器

Resistance distributor

比例接头 Oil Flow Proportion Metering

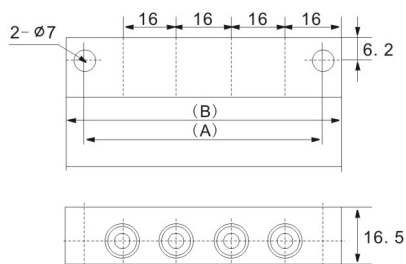
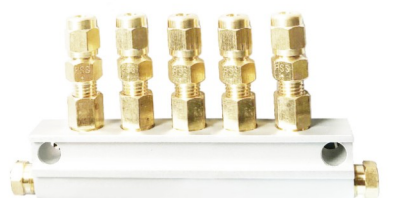


功能特点 Features

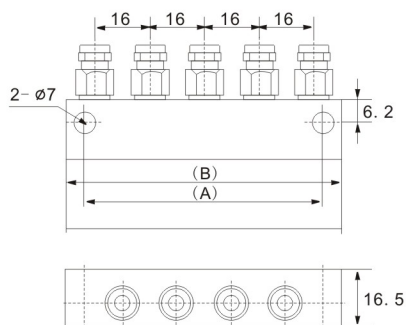
- 可按各个润滑点油量不同，选择不同规格的比例接头。
- 可稳定地将润滑油输送到每个润滑点。
- 具有止逆功能，可防止润滑油回流。
- 通过节流原理控制流量，按流通能力对流量进行比例分配。
- Variety of specifications for choose according to actual needs.
- Stable output of lubricant to the lubrication point.
- Include check valve to prevent lubricant backflow.

型号 Model	PSS	CSS	CST	PST
进油 Inlet	M8x1	M8x1	M8x1	M10x1
出油 Outlets	M8x1	M8x1	R1/8	M10x1
号数 Category No.	1 2 3 4 5			
流量比 Flow Ratio	4 8 16 32 64			
使用压力 Pressure	1.5~25kg/cm ²			
油黏度 Oil Viscosity	20~500cst.			

DGS/DGA 抵抗式分配器 Resistant Distributor

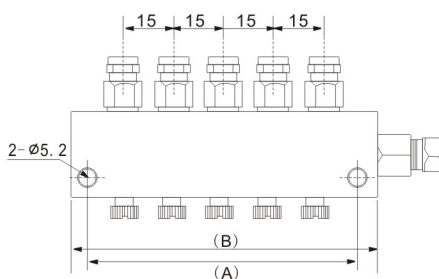


型号 Model	出油口数 Outlets	流量 Flow rate	重量(g) Weight	A	B
DGS-100	1	0.5 2 4 8 16 32 64	70	7	35
DGS-200	2		83	36	49
DGS-300	3		116	52	65
DGS-400	4		146	68	81
DGS-500	5		178	84	97
DGS-600	6		211	100	113
DGS-700	7		242	116	129
DGS-800	8		274	132	145
DGS-900	9		306	148	161
DGS-1000	10		339	164	177
DGS-1100	11		373	180	193
DGS-1200	12		403	196	209



型号 Model	出油口数 Outlets	牙纹 Thread	重量(g) Weight	A	B
DGA-100	1	Inlet: M10x1 Outlets: M8x1	58	7	35
DGA-200	2		60	36	49
DGA-300	3		82	52	65
DGA-400	4		100	68	81
DGA-500	5		122	84	97
DGA-600	6		142	100	113
DGA-700	7		162	116	129
DGA-800	8		182	132	145
DGA-900	9		203	148	161
DGA-1000	10		225	164	177
DGA-1100	11		246	180	193
DGA-1200	12		267	196	209

B型抵抗式分配器 Adjustable Distributor

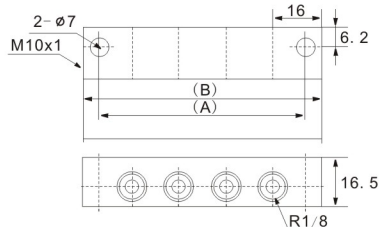


型号 Model	出油口数 Outlets	牙纹 Thread	重量(g) Weight	A	B
B-1-8	1	Inlet: M10x1 Outlets: M8x1	54	19	30
B-2-8	2		78	37	47
B-3-8	3		104	52	62
B-4-8	4		130	67	77
B-5-8	5		156	82	92
B-6-8	6		182	97	107
B-7-8	7		208	112	122
B-8-8	8		234	127	137
B-9-8	9		260	142	152
B-10-8	10		286	157	168
B-12-8	12		343	172	182

稀油抵抗式分配器

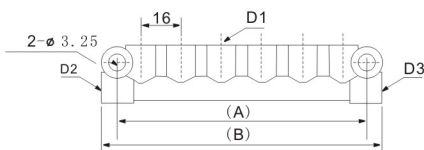
Resistance distributor

DGC型單面連接體 Distributor



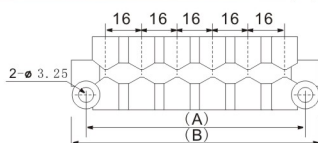
Model	Outlet number	A	B
DGC-2	2	36	49
DGC-3	3	52	65
DGC-4	4	68	81
DGC-5	5	84	97
DGC-6	6	100	113
DGC-7	7	116	129
DGC-8	8	132	145
DGC-9	9	148	161
DGC-10	10	164	177
DGC-11	11	180	193
DGC-12	12	196	203

A型單面連接體 Distributor



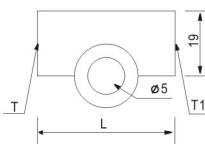
Model	Outlet number	D1=D2=D3	A	B
A-4-8	2	M8x1	35	50
A-4-10		M10x1		
A-5-8	3	M8x1	51	65
A-5-10		M10x1		
A-6-8	4	M8x1	68	86
A-6-10		M10x1		
A-7-8	5	M8x1	83	101
A-7-10		M10x1		
A-8-8	6	M8x1	98	116
A-8-10		M10x1		
A-9-8	7	M8x1	113	131
A-9-10		M10x1		
A-10-8	8	M8x1	128	146
A-10-10		M10x1		
A-12-8	10	M8x1	138	156
A-12-10		M10x1		

Ae型雙面連接體 Distributor

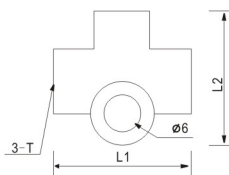


Model	Outlet number	A	B
AE-4-8	4	34	46
AE-6-8	6	50	62
AE-8-8	8	66	78

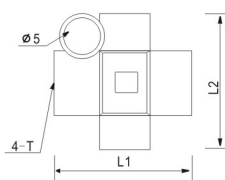
二通/三通/十字四通 Connector



Model	OD	L	T	T1
2TD-8-8	4	28	M8x1	M8x1
2TD-10-10	6	28	M10x1	M10x1

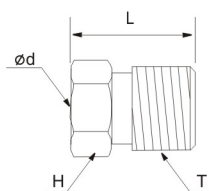


Model	OD	L1	T	L2
3TD-8-8	4	28	M8x1	19.5
3TD-10-10	6	30	M10x1	22



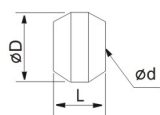
Model	OD	L1	T	L2
4TD-8-8	4	28	M8x1	28
4TD-10-10	6	30	M10x1	30

管套帽 Sleeve Unit



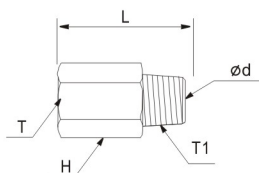
Model	OD	T	D	L	H
PA-3	3	M8x1	3.1	10	6
PA-4	4	M8x1	4.1	12	8
PA-6	6	M10x1	6.1	12.5	10
PA-8	8	M14x1.5	8.1	14	14
PA-10	10	M16x1.5	10.1	15	16

管套 Sleeve



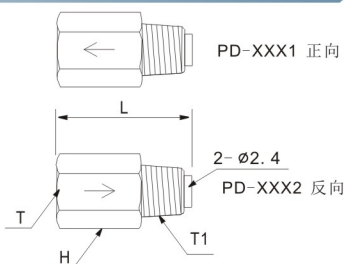
Model	OD	d	D	L
PB-3	3	3.1	4	2.6
PB-4	4	4.1	6	4.5
PB-6	6	6.1	8	4.5
PB-8	8	8.1	11	7
PB-10	10	10.1	13.5	8

直接頭 Straight Connector



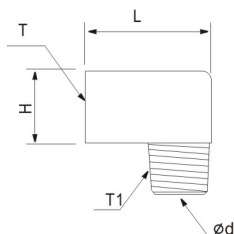
Model	OD	T1	T	H	L	d
PD404	4	M4x0.5	M8x1	10	17	2.5
PD405		M5x0.7				2.5
PD406		M6x1				2.5
PD406A		M6x0.75				2.5
PD408		M8x1				3
PD410		M10x1				3
PD418	R1/8	3				
PD608	6	M8x1	M10x1	12	20	4
PD610		M10x1				4
PD618		R1/8				4
PD812A	8	M12x1.25	M14x1.5	17	26	5
PD814		R1/4				6
PD818		R1/8				5
PD1018	10	R1/8	M16x1.5	18	22	5
PD1014		R1/4				7

單向直接頭 Single Way Straight Connector



Model	OD	T1	T	H	L	d
PD4081	4	M8x1	M8x1	10	26	2.4
PD4082		M8x1				
PD4181		R1/8				
PD4182		R1/8				
PD6081	6	M8x1	M10x1	12	26	2.4
PD6082		M8x1				
PD6181		R1/8				
PD6182	R1/8					

彎接頭 Right Angle Connector

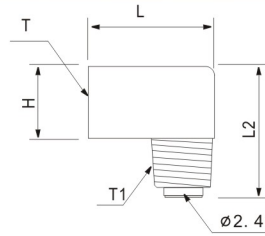


Model	OD	T1	T	H	L	d
PL404	4	M4x0.5	M8x1	10	18	2
PL405		M5x0.7				2
PL406		M6x1				2
PL406A		M6x0.75				2
PL408		M8x1				3
PL410		M10x1				3
PL418	R1/8	3				
PL608	6	M8x1	M10x1	12	20	4
PL610		M10x1				4
PL618		R1/8				4
PL812A	8	M12x1.25	M14x1.5	17	26	5
PL814		R1/4				6
PL818		R1/8				5
PL1018	10	R1/8	M16x1.5	19	29	5
PL1014		R1/4				7

潤滑系統配件

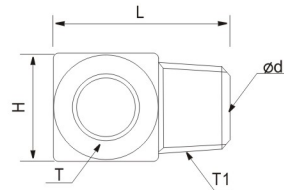
Accessories

單向彎接頭 Single Right angle connector



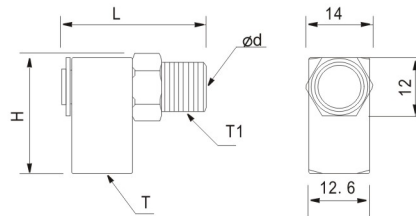
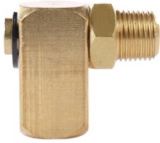
Model	OD	T1	T	H	L	d
PL4081	4	M8x1	M8x1	10	18	2
PL4181		R1/8				2
PL4082		M8x1				2
PL4182		R1/8				2
PL6181	6	R1/8	M10x1	12	20	4
PL6182		R1/8				4

平面直角接頭 Right Angle Connector



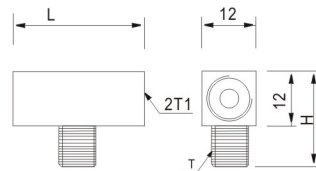
Model	OD	T1	T	H	L	d
PPL406	4	M6x1	M8x1	12.7	21	2
PPL408		M8x1			21	
PPL410		M10x1			21	
PPL418		R1/8			21	
PPL608	6	M8x1	M10x1	12.7	22.3	2
PPL610		M10x1			22.3	
PPL618		R1/8			22.3	

活動直角接頭 Rotatable Right Angle Connector



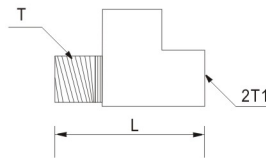
Model	OD	T1	T	H	L	d
PPL406	4	M6x1	M8x1	12.7	21	2
PPL408		M8x1			21	
PPL410		M10x1			21	
PPL418		R1/8			21	
PPL608	6	M8x1	M10x1	12.7	22.3	2
PPL610		M10x1			22.3	
PPL618		R1/8			22.3	

正外接接頭 Right Angle Connector



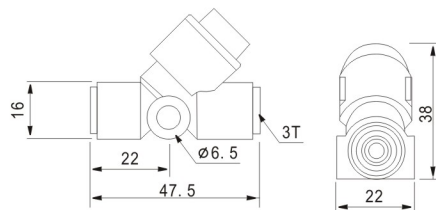
Model	OD	T1	T	H	L
3TG-8-8	4	M8x1	M8x1	21	25
3TG-8-10			M10x1		25
3TG-8-1/8			R1/8		27
3TG-10-8	6	M10x1	M8x1	21	28
3TG-10-10			M10x1		30

側外接接頭 Right Angle Connector



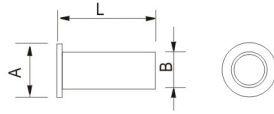
Model	OD	T1	T	L
3TZ-8-8	4	M8x1	M8x1	25
3TZ-8-10			M10x1	25
3TZ-10-8	6	M10x1	M8x1	27
3TZ-10-10			M10x1	28

過濾雙接頭 Filter Connector



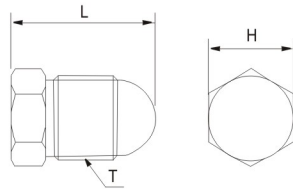
Model	FT04	FT06
OD	4mm	6mm
T	M8x1	M10x1
過濾精度 (U)	20	20
使用范围 Use range	Resistant system	Resistant system
压力 Max.pressure	25	25
流量 Discharge volume	1	1
用油范围 Lubricant	30-250	30-250

管襯套 Tube Sleeve



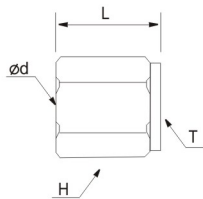
Model	OD	A	B	L
PT4*2	4	4	2	9
PT4*2.5			2.5	9
PT6*4	6	6	4	11
PT8*6	8	8	6	15.5
PT10*8	10	10	8	18

套管塞頭 Plug



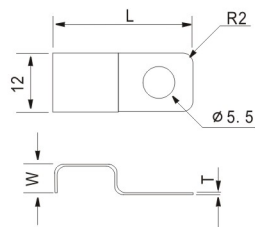
Model	OD	L	T	H
PS-8	4	16	M8x1	8
PS-10	6	17	M10x1	10

螺帽 Nut



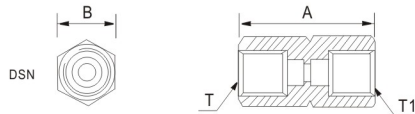
Model	OD	L	T	H
PN-4	4	13	M8x1	10
PN-6	6	13	M10x1	12

管夾 Pipe Clip



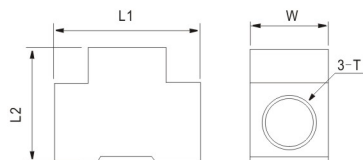
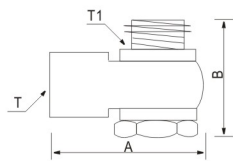
Model	OD	L	W	T	Tube number
PC1104	4	19	10	0.8	1
PC1106	6	20	10	0.8	1
PC1108	8	22	10	1	1
PC1110	10	26	10	1	1
PC1204	4	23	10	0.8	2
PC1206				2	2
PC1304	4	27	12	1	3

內、外牙接頭 Connector



Model	A	B	T	T1
DSW4	23	10	M8x1	M8x1
DSW-6	25	12	M10x1	M10x1
DSN-4	24.5	10	M8x1	M8x1
DSN-6	24.5	12	M10x1	M10x1

萬向旋轉鉸接頭/孔內三通 Connector



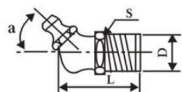
Model	OD	T	T1	A	B
PJH406	4	M8x1	M6x1	25	20
PJH408	4	M8x1	M8x1	25	20
PJH418	4	M8x1	R1/8	25	20
PJH608	6	M10x1	M8x1	28	23
PJH610	6	M10x1	M10x1	28	23

Model	T	L1	L2	W
3TF-8-8	M8x1	27	21	14
3TF-10-10	M10x1	31	25	18

潤滑系統配件

Accessories

黄油嘴 Grease nipple



a = 0°: straight grease nipple
a = 45°: 45° elbow grease nipple
a = 90°: 90° grease nipple

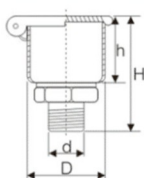
Model	Material	D	a	L	S
HY-106	copper	M6x1	0°	12	8
HY-108	copper	M8x1		15	10
HY-110	copper	M10x1		17	11
HY-206	copper	M6x1	45°	16	10
HY-208	copper	M8x1		19	10
HY-210	copper	M10x1		19	11
HY-306	copper	M6x1	90°	16	10
HY-308	copper	M8x1		19	10
HY-310	copper	M10x1		22	11

壓注式油杯 Oil Cup



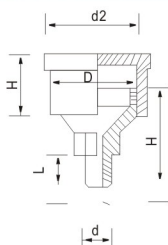
Model	Material	L	H
PYB-106	copper	6	6
PYB-108	copper	8	8
PYB-110	copper	10	10
PYB-112	copper	12	12
PYB-116	copper	16	16

彈蓋式油杯 Oil Cup



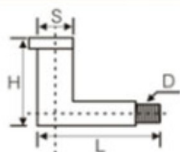
Model	Material	d	D	H	h
SYB-106-8	copper	M6x1	8	16	8
SYB-108-10	copper	M8x1	10	16	8
SYB-110-10	copper	M10x1	10	17	8
SYB-110-12	copper	M10x1	12	25	12
SYB-110-20	copper	M10x1	20	40	21

旋蓋式油杯 Oil Cup



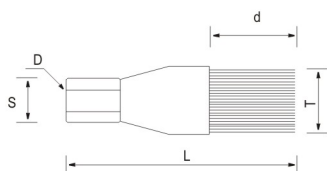
Model	Capacity	d	L	H	h	d1	D	d2	S
RYB-110-16	1.5	M10x1	8	14	22	3	16	M14x1.25	12
RYB-110-20	3			15	23		20	M18x1.25	14
RYB-110-26	6			17	26		26	M24x1.25	14
RYB-114-32	12	M14x1.5	10	20	30	4	32	M30x1.25	17
RYB-114-36	18			22	32		36	M34x1.25	17

彈蓋式直角油杯 Oil Cup



Model	Material	D	L	H	S
SYB-306	Nickel-plated	M6x1	25	18	8
SYB-308	Nickel-plated	M8x1	30	25	10
SYB-310	Nickel-plated	M10x1	35	25	10
SYB-318	Nickel-plated	R1/8	35	25	10

鏈條潤滑毛刷 Brush tool



Model	D	d	t	L	S
OB-08A	M8x1 Female thread	40	20	78	12.5
OB-08B	M8x1 male thread			90	
OB-10A	M10x1 Female thread			88	
OB-10B	M10x1 male thread			90	

Lubricating Oil Hose

銅管
Copper Oil Hose



鋁鍍銅管
Aluminum Brass Crossing



鋁管
Aluminum Oil Hose



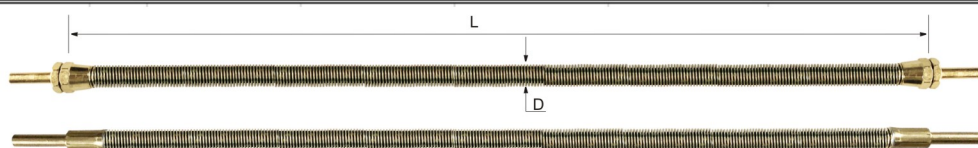
尼龍管
Nylon Oil Hose



Model	Material	OD				L
銅管 Copper Oil Hose	CP	4x1	6x1	8x1	10x1	50m/Roll
鋁鍍銅管 Aluminum Brass Crossing	ACP	4x2	6x4	8x6	10x8	100m/Roll
鋁管 Aluminum Oil Hose	AP	4x2	6x4	8x6	10x8	100m/Roll
尼龍管 Nylon Oil Hose	PA	4x2	6x4	8x6	10x8	100m/Roll

外鋼絲軟管

外鋼絲軟管使用橡膠管，
可在工作環境惡劣的場所下使用，
適用溫度範圍是-20~+80度



Model	OD	压力 (Mpa)	弯曲半径(mm)	D(mm)	L(mm)
OST-4	4	3.0	R20	11.5	按用户要求订制 Customized
OST-6	6	2.7	R40		

高壓樹脂管

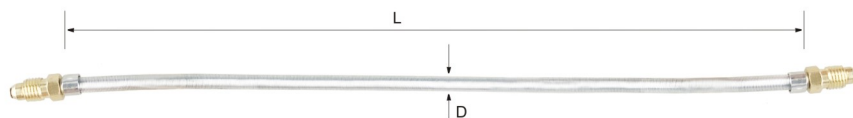
耐壓樹脂管使用聚氨酯材料軟管，配合
黃油泵使用，可耐高壓力和在環境惡劣
的場所下使用，適用溫度範圍為-20~+80度



Model	OD	压力 (Mpa)	弯曲半径(mm)	D(mm)	L(mm)
OSP-4	4	25	R40	9.5	按用户要求订制 Customized
OSP-6	6				
OSP-8	8				

高壓軟管

鋼絲護套軟管是一種外套加密彈簧的尼龍管，
可耐高壓力和在環境惡劣的場所下使用，
適用溫度範圍為-20~+80度



Model	OD	压力 (Mpa)	弯曲半径(mm)	D(mm)	L(mm)
OSM-4	4	3.0	R60	17	按用户要求订制 Customized
OSM-6	6	2.8		18	
OSM-8	8	2.8		20	

鋼絲護套

加密型
標準型
(0.5mm間隙)

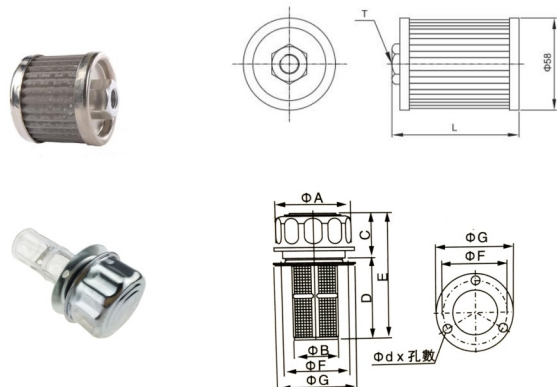


Model	OD	長度/條	使用範圍
鋼絲護套	4/6/8	2m/4m	與尼龍管膠管配合使用

自動濾油器/泵配件

Filter/Accessories

濾油網



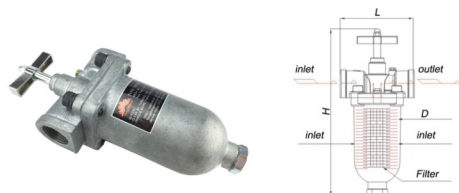
Model	T	L	过滤精度
MF-02	PS1/4	80	100
MF-03	PS3/8	80	100
MF-04	PS1/2	100	100
MF-06	PS3/4	133	100
MF-08	PS1"	158	100
MF-10	1-1/4"	178	100
MF-12	1-1/2"	194	100
MF-16	2"	210	100
MF-20	2-1/2"	274	100
MF-24	3"	274	100

Model	A mm	B mm	C mm	D mm	E mm	F mm	G mm	Dx孔数	过滤精度
HS-1162	53	31	31	68	99	45.5	53	30	40
HS-1163	80	48	47	90	137	71	92	92	40

過濾器

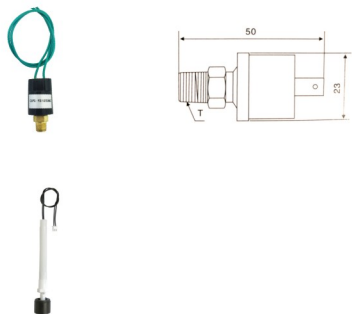


Model	Filtration	Flow Rate(L/min)	Max Working Preusse	Thread
FT-016	25	1.6L/min	3.5	R1/8
FT-017	60	1.6L/min	3.5	M10x1
FT-018	25	1.6L/min	3.5	M10x1



标准流量L/H							
Model	OD	60MESH	100MESH	H	L	D	材质
TK-102	1/4"	1940	760	160	75	55	Zinc alloy
TK-103	3/8"	1940	760	160	75	55	Zinc alloy
TK-310	3/4"	4730	1840	230	100	75	Zinc alloy
TK-312	1"	6270	2460	270	120	75	Zinc alloy

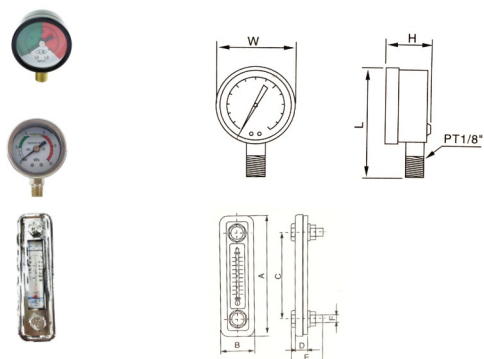
壓力開關/液位開關



Model	规格	ON	OFF	牙纹	适用环境
压力开关 Pressure Switch	常开	10KG	5KG	M10x1	-10~ 80° C
	常闭				

Model	规格	输出接点	耐电压	最大通电流	牙纹	适用环境
液位开关 Level Switch	常开	50W	220V	1.5A	M10x1	-10~ 80° C
	常闭					

壓力表/油位鏡



Model	规格 (kgf/cm2)	W	L	H	Thread
直立式压力表	40	40.7	57	23	M10x1
直接式充油压力表	100	46	63	25	M10x1

Model	A mm	B mm	C mm	D mm	E mm	F mm
LS-3	118	41	80	16.5	39	M10
LS-5	178	50	127	19	47	M12

齒輪式半自動油脂泵

PLC Control Grease pumps

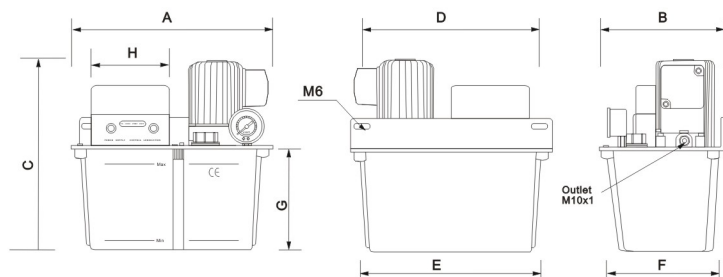


功能特點 Features

- 打稀油時，設有液位報警和壓力報警（選配），當液位及壓力不足時有異常信號輸出。
- 面板指示燈可顯示出油泵的通電和潤滑狀態。設有點動開關可強制潤滑。
- 配合抵抗式分配器或容積式分配器使用。
- 設有溢流閥，可保護油泵及管路由于壓力過高而損壞。
- 由機械設備上PLC系統來控制油泵的間歇和潤滑時間。
- 適用於稀油或00-000油脂。
- Level switch and pressure switch are optional for monitoring the oil level and the working pressure.
- Indicator lights can show the on/off and working status.
- Inching switch is equipped for enforcing the pump to work.
- Can be used with resistance distributors and volumetric distributors.
- Relief valve is equipped for protecting the pump and pipeline from high pressure.
- Control by PLC, link with the machine.
- Suitable for thin oil and 00-000# grease.

尺寸圖

Dimensional drawings



型號 Model	A(mm)	B(mm)	C(mm)	D(mm)	E(mm)	F(mm)	G(mm)	H(mm)
2 Liter	245	130	292	200	205	121	152	95
4 Liter	285	166	292	265	260	150	152	115
8 Liter	365	210	280	340	305	220	150	115
20 Liter	440	280	340	415	380	290	215	115

規格表

Specifications

型號 Model	GM-520*	GM-523*
容量 Reservoir capacity	2L/4L/8L/20L	2L/4L/8L/20L
控制方式 Control type	PLC	TIMER
用脂範圍 Lubricant	Oil/00-000#	Oil/00-000#
電壓 Voltage	24V/220V/380V	24V/220V/380V
功率 Power	90W	90W
最高工作壓力 Max.pressure	4.0Mpa	4.0Mpa
流量 Discharge volume	500CC/Min	500CC/Min
脫壓裝置 Pressure relief valve	✓	✓
壓力表 Pressure gauge	✓	✓
吐出口徑 Outlet thread	6mm (default)	6mm (default)
壓力報警 Pressure relief valve	選配 Optional	選配 Optional
液位報警 Level switch	選配 Optional	選配 Optional

齒輪式全自動油脂泵 Fully Automatic Grease Pumps

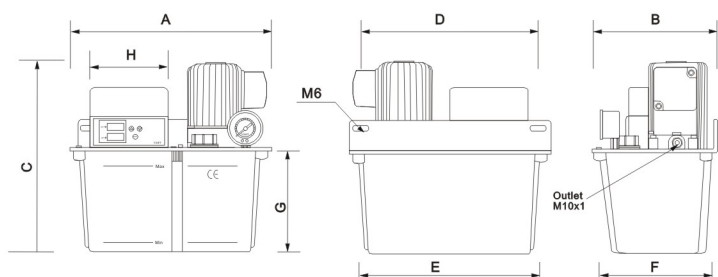


功能特點 Features

- 打稀油時，設有液位報警和壓力報警（選配），當液位及壓力不足時有異常信號輸出。
- 面板指示燈可顯示出油泵的通電和潤滑狀態。設有點動開關可強制潤滑。
- 配合抵抗式分配器或容積式分配器使用。
- 設有溢流閥，可保護油泵及管路由于壓力過高而損壞。
- 全自動數顯控制，直接設置工作時間和間歇時間。
- 適用於稀油或00-000油脂。
- Level switch and pressure switch are optional for monitoring the oil level and the working pressure.
- Indicator lights can show the on/off and working status.
- Inching switch is equipped for enforcing the pump to work.
- Can be used with resistance distributors and volumetric distributors.
- Relief valve is equipped for protecting the pump and pipeline from high pressure.
- Control by built-in controller, achieving full automatic.
- Suitable for thin oil and 00-000# grease.

尺寸圖

Dimensional drawings



型號 Model	A(mm)	B(mm)	C(mm)	D(mm)	E(mm)	F(mm)	G(mm)	H(mm)
2 Liter	245	130	292	200	205	121	152	95
4 Liter	285	166	292	265	260	150	152	115
8 Liter	365	210	280	340	305	220	150	115
20 Liter	440	280	340	415	380	290	215	115

規格表

Specifications

型號 Model	GM-520*	GM-523*
容量 Reservoir capacity	2L/4L/8L/20L	2L/4L/8L/20L
控制方式 Control type	PLC	TIMER
用脂範圍 Lubricant	Oil/00-000#	Oil/00-000#
電壓 Voltage	24V/220V/380V	24V/220V/380V
功率 Power	90W	90W
最高工作壓力 Max.pressure	4.0Mpa	4.0Mpa
流量 Discharge volume	500CC/Min	500CC/Min
脫壓裝置 Pressure relief valve	✓	✓
壓力表 Pressure gauge	✓	✓
吐出口徑 Outlet thread	6mm (default)	6mm (default)
壓力報警 Pressure relief valve	选配 Optional	选配 Optional
液位報警 Level switch	选配 Optional	选配 Optional

連續型電動油脂泵 Long-Running Motor Grease Pumps

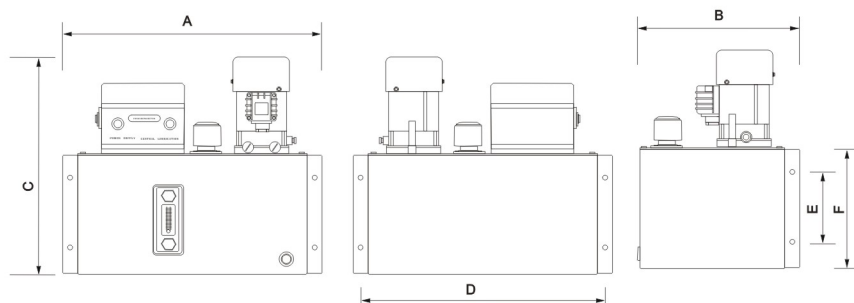


功能特點 Features

- 打稀油時，設有液位報警和壓力報警（選配），當液位及壓力不足時有異常信號輸出。
- 面板指示燈可顯示出油泵的通電和潤滑狀態。
- 配合抵抗式分配器使用。
- 設有溢流閥，可保護油泵及管路由于壓力過高而損壞。
- 電機可連續打油工作。
- 適用於稀油或000#油脂。
- Equipped with high-performance motors, can work continuously for a long time.
- Level switch and pressure switch are optional for monitoring the oil level and the working pressure.
- Indicator lights can show the on/off and working status.
- Inching switch is equipped for enforcing the pump to work.
- Can be used with resistance distributors and volumetric distributors.
- Relief valve is equipped for protecting the pump and pipeline from high pressure.
- Suitable for thin oil and 000# grease.

尺寸圖

Dimensional drawings



型號 Model	A(mm)	B(mm)	C(mm)	D(mm)	E(mm)	F(mm)
2 Liter	205	120	330	180		155
4 Liter	270	150	330	255		155
8 Liter	365	240	290	340	100	150
20 Liter	440	300	380	415	160	210

規格表

Specifications

型號 Model	GW-520*	GW-523*
容量 Reservoir capacity	2L/4L/8L/20L	2L/4L/8L/20L
控制方式 Control type	PLC	TIMER
用脂範圍 Lubricant	Oil/00-000#	Oil/00-000#
電壓 Voltage	220V/380V	220V/380V
功率 Power	90W	90W
最高工作壓力 Max.pressure	4.0Mpa	4.0Mpa
流量 Discharge volume	500CC/Min	500CC/Min
脫壓裝置 Pressure relief valve	×	×
壓力表 Pressure gauge	✓	✓
吐出口徑 Outlet thread	6mm (default)	6mm (default)
壓力報警 Pressure relief valve	选配 Optional	选配 Optional
液位報警 Level switch	选配 Optional	选配 Optional

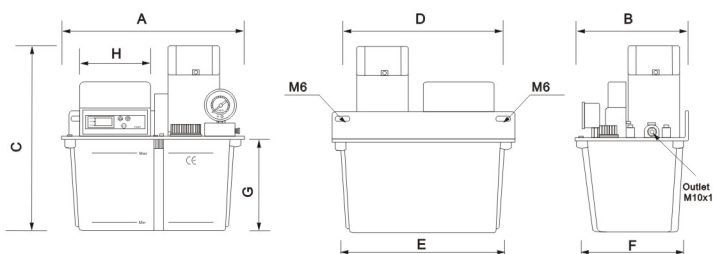
功能特點 Features



- 打稀油時，設有液位報警和壓力報警（選配），當液位及壓力不足時有異常信號輸出。
- 面板指示燈可顯示出油泵的通電和潤滑狀態。設有點動開關可強制潤滑。
- 配合抵抗式分配器或容積式分配器使用。
- 設有溢流閥，可保護油泵及管路由于壓力過高而損壞。
- 設有點動開關。
- PLC控制或全自動數顯控制，電機可連續型運轉工作。
- 適用於稀油或00-000油脂。
- Level switch and pressure switch are optional for monitoring the oil level and the working pressure include inching button.
- Indicator lights can show the on/off and working status.
- Inching switch is equipped for enforcing the pump to work.
- Can be used with resistance distributors and volumetric distributors.
- Relief valve is equipped for protecting the pump and pipeline from high pressure.
- Control by built-in controller or PLC control.
- Suitable for thin oil and 00-000# grease.
- can work continuously for a long time.

尺寸圖

Dimensional drawings



型號 Model	A(mm)	B(mm)	C(mm)	D(mm)	E(mm)	F(mm)	G(mm)	H(mm)
2 Liter	245	130	300	200	205	121	152	95
4 Liter	285	166	300	265	260	150	152	115
8 Liter	365	210	300	340	305	220	150	115
20 Liter	440	280	360	415	380	290	215	115

規格表

Specifications

型號 Model	GA-520*	GA-523*
容量 Reservoir capacity	4L/8L/20L	4L/8L/20L
控制方式 Control type	PLC	TIMER
用脂範圍 Lubricant	Oil/00-000#	Oil/00-000#
電壓 Voltage	220V/380V	220V/380V
功率 Power	60W	60W
最高工作壓力 Max.pressure	4.0Mpa	4.0Mpa
流量 Discharge volume	500CC/Min	500CC/Min
脫壓裝置 Pressure relief valve	✓	✓
壓力表 Pressure gauge	✓	✓
吐出口徑 Outlet thread	6mm (default)	6mm (default)
壓力報警 Pressure switch	选配 Optional	选配 Optional
液位報警 Level switch	选配 Optional	选配 Optional

齒輪式半自動油脂泵

PLC Control Grease pumps

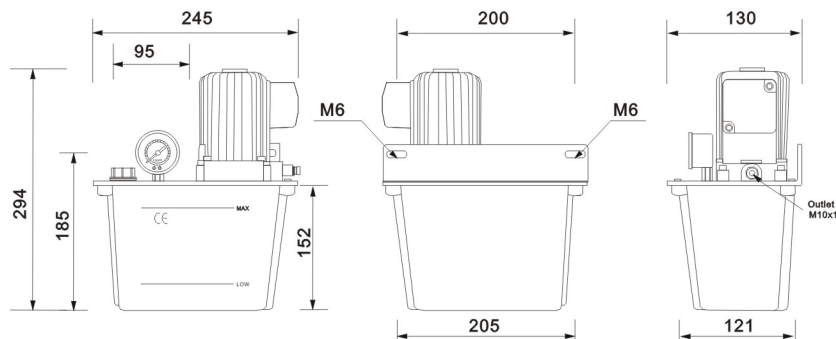
功能特點 Features



- 打稀油時，設有液位報警和壓力報警（選配），當液位及壓力不足時有異常信號輸出。
- 配有壓力表可隨時觀看油泵壓力。
- 配合抵抗式分配器或容積式分配器使用。
- 設有溢流閥，可保護油泵及管路由于壓力過高而損壞。
- 由機械設備上PLC系統來控制油泵的間歇和潤滑時間。
- 適用於稀油或00-000油脂。
- Level switch and pressure switch are optional for monitoring the oil level and the working pressure.
- Inching switch is equipped for enforcing the pump to work.
- Can be used with resistance distributors and volumetric distributors.
- Relief valve is equipped for protecting the pump and pipeline from high pressure.
- Control by PLC, link with the machine.
- Suitable for thin oil and 00-000# grease.

尺寸圖

Dimensional drawings

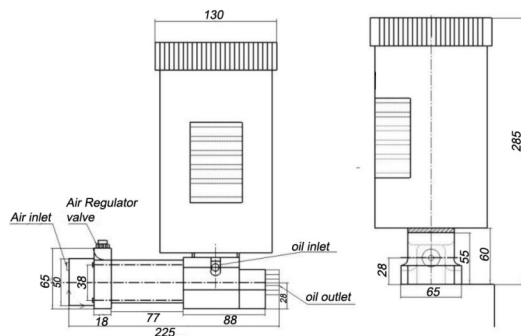


規格表

Specifications

型號 Model	DR5-3Z
容量 Reservoir capacity	2L
控制方式 Control type	PLC
用脂範圍 Lubricant	Oil/00-000#
電壓 Voltage	220V/380V
功率 Power	90W
最高工作壓力 Max.pressure	4.0Mpa
流量 Discharge volume	500CC/Min
脫壓裝置 Pressure relief valve	✓
壓力表 Pressure gauge	✓
吐出口徑 Outlet thread	6mm (default)
壓力報警 Pressure relief valve	选配 Optional
液位報警 Level switch	选配 Optional

氣動式油脂泵 Pneumatic grease pump



規格表

Specifications

型號 Model	P-310
容量 Reservoir capacity	2L
用氣壓範圍 Air source pressure range	0.3-0.7Mpa
用脂範圍 Lubricant	000#-2#
最高吐出量 Discharge Max	90ml/min
最高工作壓力 Max.pressure	20Mpa
吐出口徑 Outlet thread	6mm (default)

微型電動油脂泵

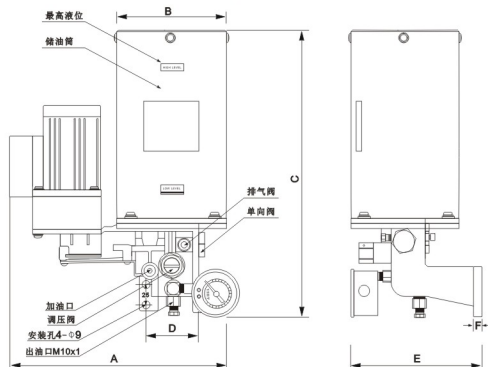


功能特點 Features

- PLC控制，与机器联动，或使用带程控器全自动控制工作时间和间歇时间。
 - 采用油压盘，真空吸油。
 - 设有单向阀，防止排出的油出现逆流。
 - 设有调压阀，控制黄油泵的工作压力，保护油泵工作安全。
 - 设有放气阀，排除黄油泵腔内的空气，确保油泵排油畅顺。
 - 采用加油枪通过滤油器向油泵储油筒内加注油剂，减少杂质空气混入润滑系统，保护润滑系统的工作安全。
 - 配套使用分配器：DU、JPQ、加压抵抗式分配器等系列。
 - 使用介质：000#-1#锂基脂。
 - Based on vacuum suction theory Equipped with pressing oil plate.
 - Equipped With level switch(Optional).
 - Equipped with check valve to prevent lubricant flowing back.
 - Equipped with pressure regulating valve to control the pump working pressure and protect the pump working safety.
 - Equipped with air release valve to exhaust excess air in the pump to ensure smooth output.
 - Equipped with oil filter to reduce lubricant impurities.
- Air is mixed into the lubrication system to protect the working safety of the lubrication system.

尺寸圖

Dimensional drawings



型號 Model	A(mm)	B(mm)	C(mm)	D(mm)	E(mm)	F(mm)
0.8 Liter	200	108	260	70	140	8
1.5 Liter	200	108	330	70	140	8

規格表

Specifications

型號 Model	P-101/P-102/P-103	P-101-C/P-102-C/P-103-C
容量 Reservoir capacity	0.8L/1.5L	0.8L/1.5L
控制方式 Control type	PLC	TIMER
用脂範圍 Lubricant	000#~1#	000#~1#
電壓 Voltage	12V/24V/220V/380V	12V/24V/220V/380V
功率 Power	25W	25W
最高工作壓力 Max.pressure	10Mpa	10Mpa
流量 Discharge volume	20CC/Min	20CC/Min
壓力表 Pressure gauge	选配 Optional	选配 Optional
吐出口徑 Outlet thread	6mm (default)	6mm (default)
液位報警 Level switch	选配 Optional	选配 Optional

柱塞式半自動黃油泵

High Pressure PLC Control Grease pump

EGM-P



EGM-P1

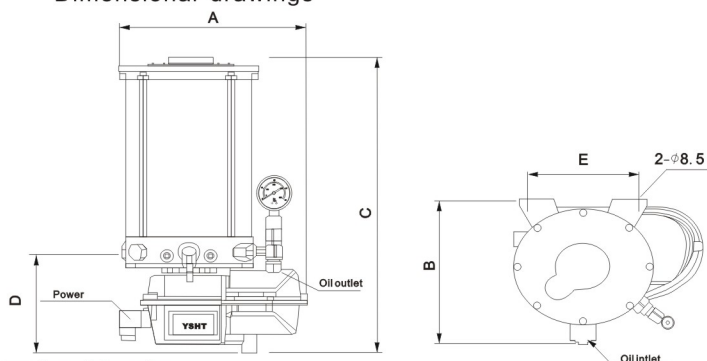


功能特點 Features

- PLC控制，可與機器聯動。
- 每個出油口配有超壓安全保護裝置。
- 每個出油口配有壓力顯示表。
- 電機防護罩殼可以防塵，防雨。
- 該泵特別適用於工程機械，建築機械，行走機械等工作環境惡劣，震動較大，粉塵嚴重的工況的潤滑，也可以用於運輸，機床，鍛壓等行業。
- Can be linked with the machine, controlled by PLC.
- Each outlet is equipped with an overpressure protection device.
- Each outlet is equipped with a pressure gauge.
- The motor protective shell is dustproof and waterproof.
- It is especially suitable for harsh working environments such as construction machinery with severe vibration and severe dust. It can also be used in industries such as transportation, machine tools, and forging.

尺寸圖

Dimensional drawings



型號 Model	A(mm)	B(mm)	C(mm)	D(mm)	E(mm)
2 Liter	280	247	358	170	165
4 Liter	280	247	410	170	165
6 Liter	280	247	508	170	165
10 Liter	280	247	700	170	165

規格表

Specifications

型號 Model	EGM-P	EGM-P1
容量 Reservoir capacity	2L/4L/6L/10L	2L/4L/6L/10L
控制方式 Control type	PLC	PLC
用脂範圍 Lubricant	NLGI 000#~2#	NLGI 000#~2#
電壓 Voltage	12V/24V/220V/380V	12V/24V/220V/380V
功率 Power	60W	60W
最高工作壓力 Max.pressure	25MPa	25MPa
流量 Discharge volume	5.5ML/MIN	5.5ML/MIN
出油口數 Outlet number	1~5	1~5
使用溫度 Temperature	-35~ 80° C	-35~ 80° C
壓力表 Pressure gauge	✓	✓
程控器 Digital display	×	×
液位報警 Level switch	×	×
充脂口規格 Oil inlets	①直通式快速充脂口 Grease quick coupling	①頂蓋快速加脂口 Add grease on top ②直通式快速充脂口 Grease quick coupling
出脂口規格 Outlet thread	M10X1 (卡套式 C6)	M10X1 (卡套式 C6)

柱塞式全自動黃油泵

High Pressure Fully Automatic Grease pump



EGM-A



EGM-A1

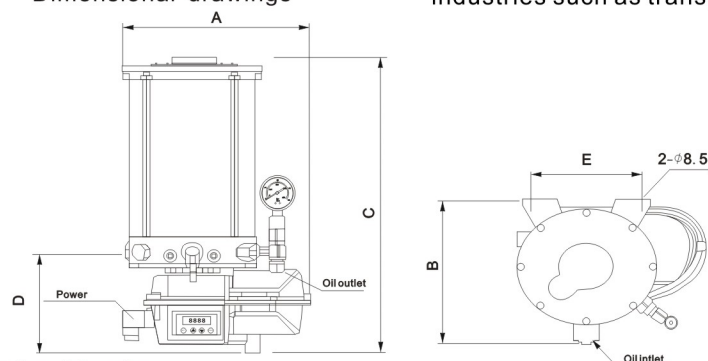


功能特點 Features

- 全自動帶有程控器可控制間歇時間和潤滑時間。
- 每個出油口配有超壓安全保護裝置。
- 每個出油口配有壓力顯示表。
- 電機防護罩殼可以防塵，防雨。
- 該泵特別適用於工程機械，建築機械，行走機械等工作環境惡劣，震動較大，粉塵嚴重的工況的潤滑，也可以用於運輸，機床，鍛壓等行業。
- Fully automatic operation, lubricating time and intermittent time are controlled by built-in controller.
- Each outlet is equipped with an overpressure protection device.
- Each outlet is equipped with a pressure gauge.
- The motor protective shell is dustproof and waterproof.
- It is especially suitable for harsh working environments such as construction machinery with severe vibration and severe dust. It can also be used in industries such as transportation, machine tools, and forging.

尺寸圖

Dimensional drawings



型號 Model	A(mm)	B(mm)	C(mm)	D(mm)	E(mm)
2 Liter	280	247	358	170	165
4 Liter	280	247	410	170	165
6 Liter	280	247	508	170	165
10 Liter	280	247	700	170	165

規格表

Specifications

型號 Model	EGM-A	EGM-A1
容量 Reservoir capacity	2L/4L/6L/10L	2L/4L/6L/10L
控制方式 Control type	Timer	Timer
用脂範圍 Lubricant	NLGI 000#~2#	NLGI 000#~2#
電壓 Voltage	24V/220V/380V	24V/220V/380V
功率 Power	60W	60W
最高工作壓力 Max.pressure	25MPa	25MPa
流量 Discharge volume	5.5ML/MIN	5.5ML/MIN
出油口數 Outlet number	1~5	1~5
使用溫度 Temperature	-35~ 80° C	-35~ 80° C
壓力表 Pressure gauge	✓	✓
程控器 Digital display	✓	✓
液位報警 Level switch	×	×
充脂口規格 Oil inlets	①直通式快速充脂口 Grease quick coupling	①頂蓋快速加脂口 Add grease on top ②直通式快速充脂口 Grease quick coupling
出脂口規格 Outlet thread	M10X1 (卡套式 C6)	M10X1 (卡套式 C6)

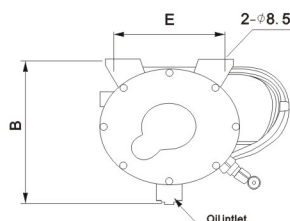
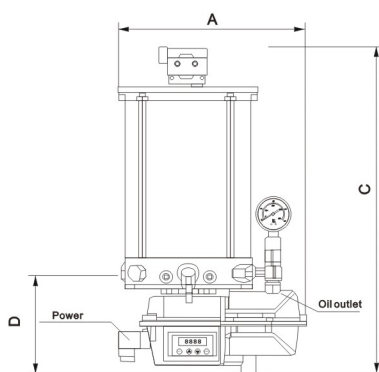
柱塞式帶液位黃油泵

EGM-P-Y
EGM-A-Y



尺寸圖

Dimensional drawings



規格表

Specifications

功能特點 Features

- PLC控制，可與機器聯動。
- 配置液位開關，隨時監控液位狀態。
- 每個出油口均配有過壓保護裝置。
- 每個出油口均配有壓力表。
- 電機防護罩可防塵、防水。
- 特別適用於工程機械、建築機械等震動較大、粉塵嚴重的惡劣工作環境，也可用於運輸、機床、鍛壓等行業。
- Can be linked with the machine, controlled by PLC.
- Equipped with level switch, easy to monitor the level status.
- Each outlet is equipped with an overpressure protection device.
- Each outlet is equipped with a pressure gauge.
- The motor protective shell is dustproof and waterproof.
- It is especially suitable for harsh working environments such as construction machinery with severe vibration and severe dust. It can also be used in industries such as transportation, machine tools, and forging.

型號 Model	A(mm)	B(mm)	C(mm)	D(mm)	E(mm)
2 Liter	280	247	408	170	165
4 Liter	280	247	460	170	165
6 Liter	280	247	558	170	165
10 Liter	280	247	750	170	165

型號 Model	EGM-P-Y	EGM-A-Y
容量 Reservoir capacity	4L/6L/10L	4L/6L/10L
控制方式 Control type	PLC	Timer
用脂範圍 Lubricant	NLGI 000#~2#	NLGI 000#~2#
電壓 Voltage	24V/220V/380V	24V/220V/380V
功率 Power	60W	60W
最高工作壓力 Max.pressure	25MPa	25MPa
流量 Discharge volume	5.5ML/MIN	5.5ML/MIN
出油口數 Outlet number	1~5	1~5
使用溫度 Temperature	-35~ 80° C	-35~ 80° C
壓力表 Pressure gauge	✓	✓
程控器 Digital display	×	✓
液位報警 Level switch	✓	✓
充脂口規格 Oil inlets	①直通式快速充脂口 Grease quick coupling	①直通式快速充脂口 Grease quick coupling
出脂口規格 Outlet thread	M10X1 (卡套式 C6)	M10X1 (卡套式 C6)

柱塞式全自動黃油泵

External Motor High Pressure Fully Automatic Grease Pump

EGO-A

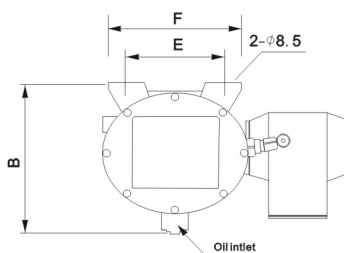
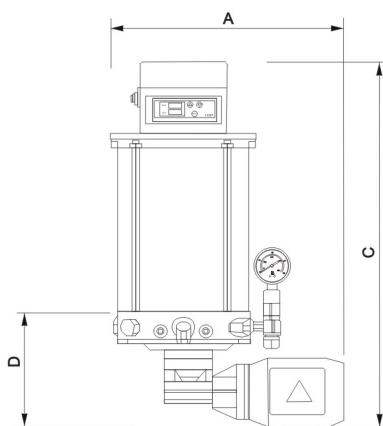


功能特點 Features

- 內置控制器控制泵油時間與間歇時間，實現全自動潤滑，更省心。
- 每個出油口均配有過壓保護裝置。
- 每個出油口均配有壓力表。
- 電機防護罩可防塵、防水。
- 特別適用於工程機械、建築機械等震動較大、粉塵嚴重的惡劣工作環境，也可用於運輸、機床、鍛壓等行業。
- Controlled by built-in controller.
- External motor, better heat dissipation.
- Each outlet is equipped with an overpressure protection device.
- Each outlet is equipped with a pressure gauge.
- The motor protective shell is dustproof and waterproof.
- It is especially suitable for harsh working environments such as construction machinery with severe vibration and severe dust. It can also be used in industries such as transportation, machine tools, and forging.

尺寸圖

Dimensional drawings



型號 Model	A(mm)	B(mm)	C(mm)	D(mm)	E(mm)	F(mm)
2 Liter	400	247	410	200	165	180
4 Liter	400	247	529	200	165	180
6 Liter	400	247	590	200	165	180
10 Liter	400	247	785	200	165	180

規格表

Specifications

型號 Model	EGO-A
	2L/4L/6L/10L
控制方式 Control type	Timer
用脂範圍 Lubricant	NLGI 000#~2#
電壓 Voltage	220V/380V
功率 Power	60W
最高工作壓力 Max.pressure	25MPa
流量 Discharge volume	5.5ML/MIN
出油口數 Outlet number	1~5
使用溫度 Temperature	-35~ 80° C
壓力表 Pressure gauge	✓
程控器 Digital display	×
液位報警 Level switch	✓
充脂口規格 Oil inlets	①直通式快速充脂口 Grease quick coupling
出脂口規格 Outlet thread	M10X1 (卡套式 C6)

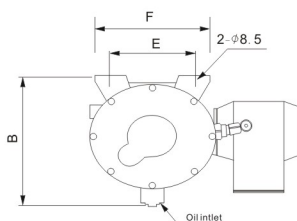
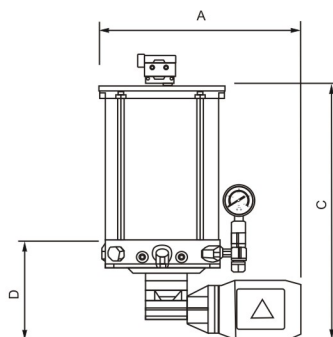
柱塞式半自動黃油泵

EGO-P



尺寸圖

Dimensional drawings



功能特點 Features

- PLC控制，可與機器聯動。
- 外置電機，散熱更好。
- 每個出油口均配有過壓保護裝置。
- 每個出油口均配有壓力表。
- 電機防護罩可防塵、防水。
- 特別適用於工程機械、建築機械等震動較大、粉塵嚴重的惡劣工作環境，也可用於運輸、機床、鍛壓等行業。
- Can be linked with the machine, controlled by PLC.
- External motor, better heat dissipation.
- Each outlet is equipped with an overpressure protection device.
- Each outlet is equipped with a pressure gauge.
- The motor protective shell is dustproof and waterproof.
- It is especially suitable for harsh working environments such as construction machinery with severe vibration and severe dust. It can also be used in industries such as transportation, machine tools, and forging.

規格表

Specifications

型號 Model	A(mm)	B(mm)	C(mm)	D(mm)	E(mm)	F(mm)
4 Liter	400	247	520	200	165	180
6 Liter	400	247	580	200	165	180
10 Liter	400	247	775	200	165	180

型號 Model	EGO-P	EGO-P-Y
容量 Reservoir capacity	2L/4L/6L/10L	2L/4L/6L/10L
控制方式 Control type	PLC	PLC
用脂範圍 Lubricant	NLGI 000#~2#	NLGI 000#~2#
電壓 Voltage	220V/380V	220V/380V
功率 Power	60W	60W
最高工作壓力 Max.pressure	25MPa	25MPa
流量 Discharge volume	5.5ML/MIN	5.5ML/MIN
出油口數 Outlet number	1~5	1~5
使用溫度 Temperature	-35~ 80° C	-35~ 80° C
壓力表 Pressure gauge	✓	✓
程控器 Digital display	×	×
液位報警 Level switch	×	✓
充脂口規格 Oil inlets	①頂蓋快速加脂口 Add grease on top ②直通式快速充脂口 Grease quick coupling	①直通式快速充脂口 Grease quick coupling
出脂口規格 Outlet thread	M10X1 (卡套式C6)	M10X1 (卡套式C6)

簡易噴霧裝置

Oil Mist Units

YS-BPV-C



YS-CS-C

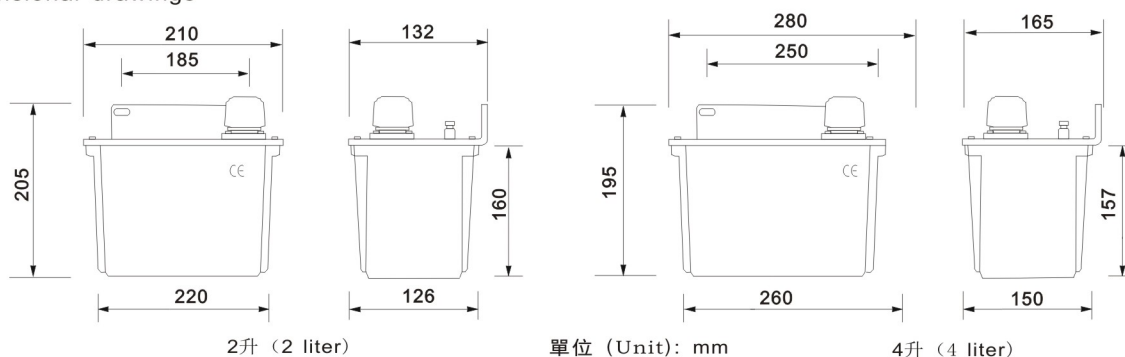


功能特點 Features

- 體積小，安裝簡易方便，配有安裝孔位。
- 藍色二流體曲管密封性強，彎曲度大，可自由調節彎曲角度。
- 可單獨調節噴霧器的油量和氣量，冷卻霧化效果佳。
- 推薦使用潔淨不帶腐蝕性液體及油品。
- Compact, include mounting holes, easy to install.
- Adopt blue two fluid curved hose, strong sealing and good flexibility, spray angle can be adjusted flexibly.
- Coolant and air volume can be adjusted seperately, cooling effect more better.
- 體積小，安裝簡易方便，配有安裝孔位。
- 專業圓鋸噴頭，三個角度噴射，噴霧效果集中。
- 可單獨調節噴霧器的油量和氣量，冷卻霧化效果佳。
- 推薦使用潔淨不帶腐蝕性液體及油品。
- Circular saw spray nozzle, spray in three angles at the same time.
- Coolant and air volume can be adjusted seperately, cooling effect more better.
- Use clean, non-corrosive liquids and oils.

尺寸圖

Dimensional drawings



規格表

Specifications

型號 Model	YS-BPV-C	YS-CS-C
容量 Reservoir capacity	2L/4L/8L/20L	2L/4L/8L/20L
空氣入口徑 Air inlet	6mm	6mm
液體入口徑 Liquid inlet	4mm	4mm
標準噴霧管長 Sprayer hose length	300mm	×
氣管長度 Air hose length	3000mm	3000mm
噴霧器型號 Coolant hose kit	YS-BPV-3000-III/YSHT-U/YSHT-D	CS-1200
用油範圍 Coolant viscosity range	0-68cst.	0-68cst.
氣壓範圍 Air source pressure range	5-7kgf/cm ²	5-7kgf/cm ²

PLC式噴霧裝置 PLC Control Oil Mist Units

YS-BPV-CP



功能特點 Features

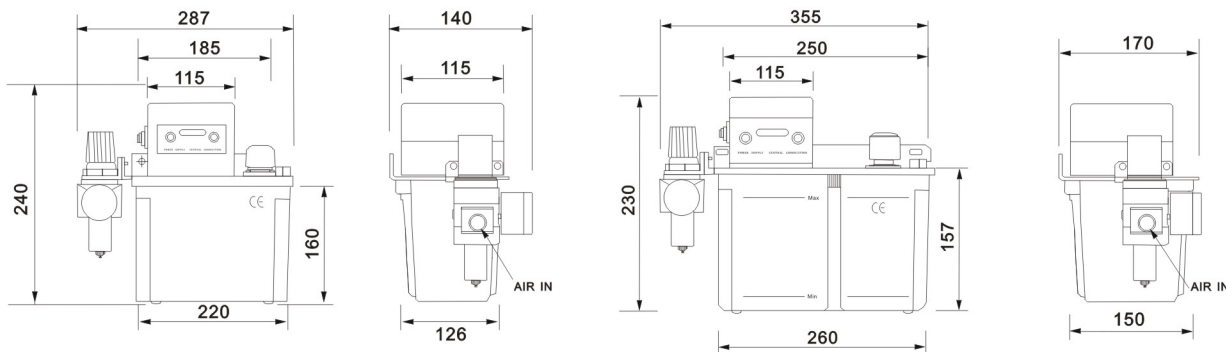
- 配置電磁閥控制氣源，能與機器聯動，并帶液位報警。
- 噴霧管有藍色竹節管和可彎曲金屬管。
- 可單獨調節噴霧器的油量和氣量，冷卻霧化效果佳。
- 推薦使用潔淨不帶腐蝕性液體及油品。
- 使用潤滑油約7cc/min, 使用水約16cc/min。
- Equipped with solenoid valve to control the air source.
- Equipped with level switch to alarm low level.
- Can be linked together with the machine.
- Plastic and metal hose are optional.
- Liquid and air volume can be adjusted separate, more better cooling effect.
- It is recommended to use clean, non-corrosive liquids and oils.
- Lubricant consumption: 7cc/min, water consumption: 16cc/min.

YSHT-CP



尺寸圖

Dimensional drawings



規格表

Specifications

2升 (2 liter)

單位 (Unit): mm

4升 (4 liter)

型號 Model	YS-BPV-CP	YSHT-CP
容量 Reservoir capacity	2L/4L/8L/20L	2L/4L/8L/20L
控制方式 Control type	PLC	PLC
電壓 Voltage	AC220V/AC110V/DC24V	AC220V/AC110V/DC24V
電磁閥 Solenoid valve	✓	✓
缺油報警 Level switch	✓	✓
空氣入口徑 Air inlet	6mm	6mm
液體入口徑 Liquid inlet	4mm	4mm
標準噴霧管長 Sprayer hose length	300mm	300/470mm
氣管長度 Air hose length	3000mm	3000mm
噴霧器型號 Coolant hose kit	YS-BPV-3000-III	YSHT-U/YSHT-D
用油範圍 Coolant viscosity range	0-68cst.	0-68cst.
氣壓範圍 Air source pressure range	5-7kgf/cm ²	5-7kgf/cm ²

PLC式噴霧裝置

PLC Control Oil Mist Units

YS-CS-CP

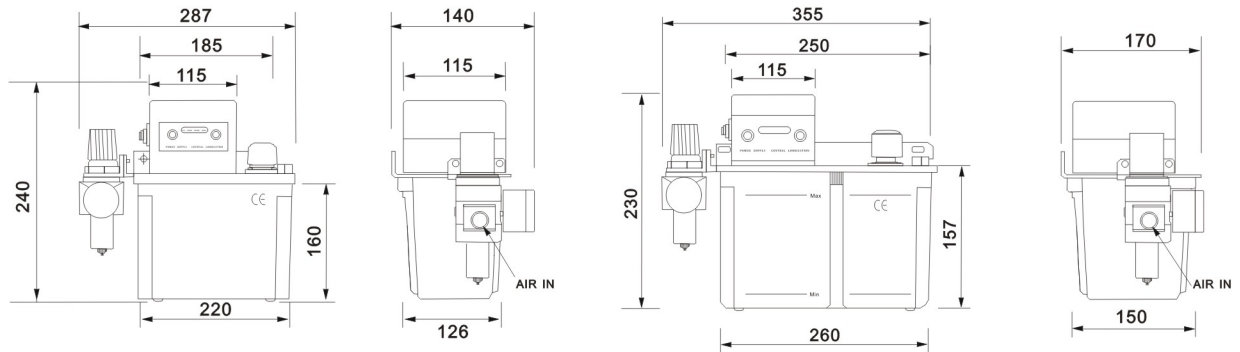


■ 功能特點 Features

- 配置电磁阀并与机器联动，并带液位报警。
- 配置圆锯专用喷头，适合圆锯机，带锯机专用。
- 可单独调节喷雾器的油量和气量，冷却雾化效果佳。
- 达到有效的降低成本的目标。
- 推荐使用洁净不带腐蚀性液体及油品。
- Equipped with solenoid valve to control the air source.
- Equipped with level switch to alarm low level.
- Can be linked together with the machine.
- Equipped with special nozzles for circular saws.
- Liquid and air volume can be adjusted separate, more better cooling effect.
- It is recommended to use clean, non-corrosive liquids and oils.
- Lubricant consumption: 5cc/min, water consumption: 15cc/min.

■ 尺寸圖

Dimensional drawings



2升 (2 liter)

單位 (Unit): mm

4升 (4 liter)

■ 規格表

Specifications

型號 Model	YS-CS-CP
容量 Reservoir capacity	2L/4L/8L/20L
控制方式 Control type	PLC
電壓 Voltage	AC220V/AC110V/DC24V
電磁閥 Solenoid valve	✓
缺油報警 Level switch	✓
空氣入口徑 Air inlet	6mm
液體入口徑 Liquid inlet	4mm
氣管長度 Air hose length	3000mm
噴霧器型號 Coolant hose kit	CS-1200
用油範圍 Coolant viscosity range	0-68cst.
氣壓範圍 Air source pressure range	5-7kgf/cm ²

YS-CS-CA

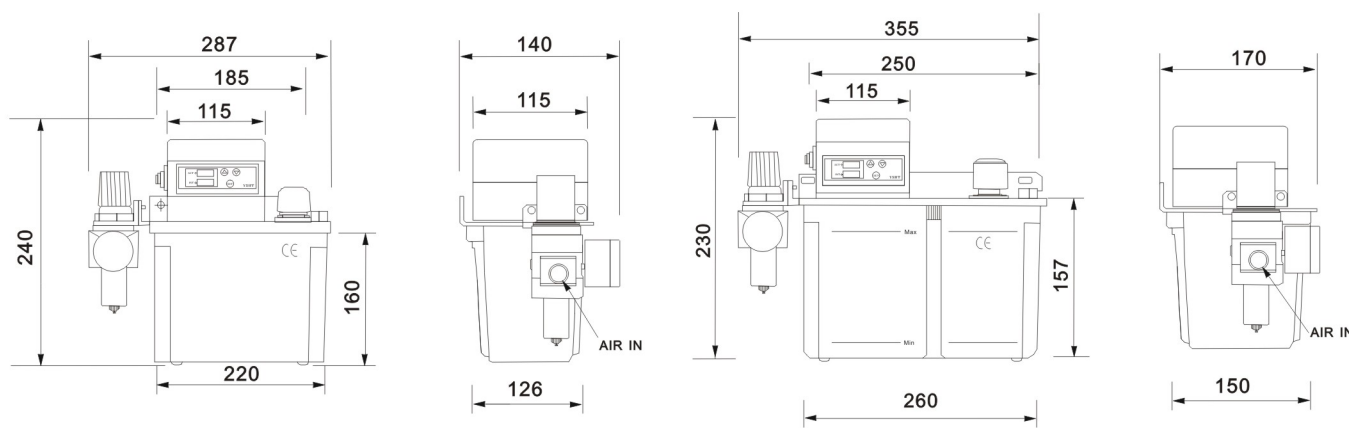


功能特點 Features

- 全自動數碼設置工作時間，配置電磁閥控制氣源，帶液位報警。
- 配置圓鋸專用噴頭，適合圓鋸機，帶鋸機專用。
- 可單獨調節噴霧器的油量和氣量，冷卻霧化效果佳。
- 提高生產效率和品質。
- 推薦使用潔淨不帶腐蝕性液體及油品。
- Timer control.
- Equipped with solenoid valve to control the air source.
- Equipped with level switch to alarm low level.
- Equipped with special nozzles for circular saws.
- Liquid and air volume can be adjusted separate, more better cooling effect.
- It is recommended to use clean, non-corrosive liquids and oils.
- Lubricant consumption: 5cc/min, water consumption: 15cc/min.

尺寸圖

Dimensional drawings



規格表

Specifications

2升 (2 liter)

單位 (Unit): mm

4升 (4 liter)

型號 Model	YS-CS-CA
容量 Reservoir capacity	2L/4L/8L/20L
控制方式 Control type	Timer
電壓 Voltage	AC220V/AC110V/DC24V
電磁閥 Solenoid valve	✓
缺油報警 Level switch	✓
空氣入口徑 Air inlet	6mm
液體入口徑 Liquid inlet	4mm
氣管長度 Air hose length	3000mm
噴霧器型號 Coolant hose kit	CS-1200
用油範圍 Coolant viscosity range	0-68cst.
氣壓範圍 Air source pressure range	5-7kgf/cm ²

YS-BPV-CA



功能特點 Features

- 全自動數碼設置工作時間，配置電磁閥控制氣源，并帶空氣過濾。
- 配帶缺油液位報警。
- 噴霧管有藍色竹節管和可彎曲金屬管。
- 可單獨調節噴霧器的油量和氣量，冷却霧化效果佳。
- 推薦使用潔淨不帶腐蝕性液體及油品。
- 使用潤滑油約7cc/min,使用水約16cc/min。

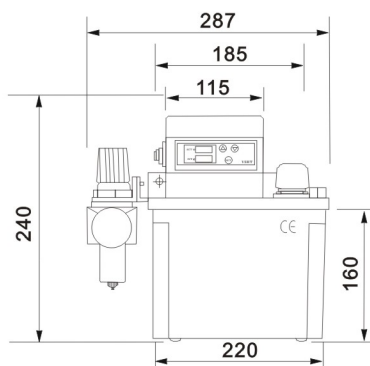
YSHT-CA



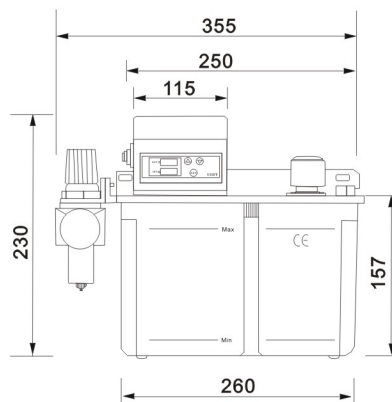
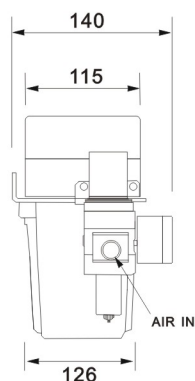
- Timer control.
- Equipped with solenoid valve to control the air source.
- Equipped with level switch to alarm low level.
- Plastic and metal hose are optional.
- Liquid and air volume can be adjusted separate, more better cooling effect.
- It is recommended to use clean, non-corrosive liquids and oils.
- Lubricant consumption: 7cc/min, water consumption: 16cc/min.

尺寸圖

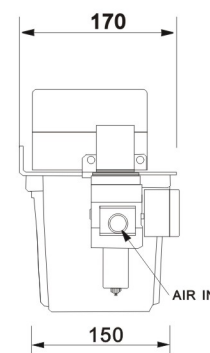
Dimensional drawings



2升 (2 liter)



單位 (Unit): mm



4升 (4 liter)

規格表

Specifications

型號 Model	YS-BPV-CA	YSHT-CA
容量 Reservoir capacity	2L/4L/8L/20L	2L/4L/8L/20L
控制方式 Control type	Timer	Timer
電壓 Voltage	AC220V/AC110V/DC24V	AC220V/AC110V/DC24V
電磁閥 Solenoid valve	✓	✓
缺油報警 Level switch	✓	✓
空氣入口徑 Air inlet	6mm	6mm
液體入口徑 Liquid inlet	4mm	4mm
標準噴霧管長 Sprayer hose length	300mm	300/470mm
氣管長度 Air hose length	3000mm	3000mm
噴霧器型號 Coolant hose kit	YS-BPV-3000-III	YSHT-U/YSHT-D
用油範圍 Coolant viscosity range	0-68cst.	0-68cst.
氣壓範圍 Air source pressure range	5-7kgf/cm ²	5-7kgf/cm ²

數顯式噴霧泵 Timer Control Coolant Pump Units 永晟合拓

YS-BPV-AG

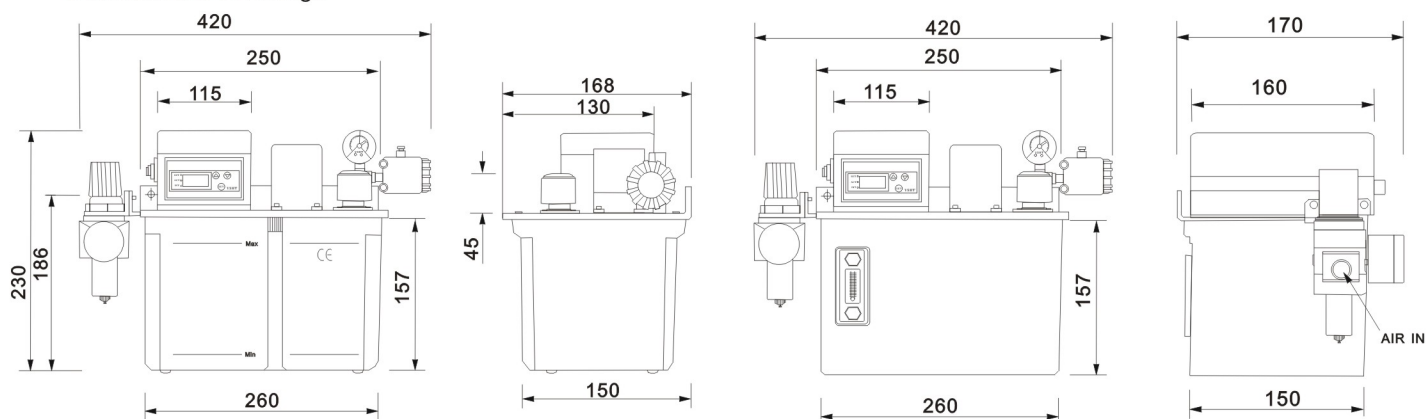


■ 功能特點 Features

- 全自動雙顯可設置工作時間，配置電磁閥控制氣源，帶液位報警。
- 齒輪式油泵配置連續型工作電機，可長時間連續噴霧。
- 可單獨調節噴霧器的油量和氣量，可減少使用油量。
- 金屬油箱防銹防振動，提高生產效率和品質。
- 適用於純淨潤滑油、微量植物油。
- Dual digital panel timer control, achieve fully automatic, free hands Solenoid valve ready to control the air source.
- Level switch ready to alarm when low level.
- Long-running motor ready, can work continuously.
- Liquid and air volume can be adjusted separately, use oil more accurately.
- Anti-rust and anti-vibration metal tank, less worry.
- Can use lubricating oil and vegetable oil.

■ 尺寸圖

Dimensional drawings



透明油箱 (4 liter Plastic tank)

單位 (Unit): mm 金屬油箱 (4 liter Iron tank)

■ 規格表

Specifications

型號 Model	YS-BPV-AG	YS-BPV-AG-M
容量 Reservoir capacity	4L(Plastic)	4L/8L/20L (IRON)
控制方式 Control type	Timer	Timer
電壓 Voltage	AC220V	AC220V
電磁閥 Solenoid valve	✓	✓
缺油報警 Level switch	✓	✓
齒輪泵 Gear pump	✓	✓
空氣入口徑 Air inlet	6mm	6mm
液體入口徑 Liquid inlet	4mm	4mm
標準噴霧管長 Sprayer hose length	300mm//470mm	300/470mm
氣管長度 Air hose length	3000mm	3000mm
噴霧器型號 Coolant hose kit	YS-BPV-3000-III YSHT-D YSHT-U	YS-BPV-3000-III YSHT-D YSHT-U
用油範圍 Coolant viscosity range	30-68cst.	30-68cst.
氣壓範圍 Air source pressure range	5-7kgf/cm ²	5-7kgf/cm ²

PLC式噴霧泵

PLC Control Coolant Pump Units

YS-BPV-PG

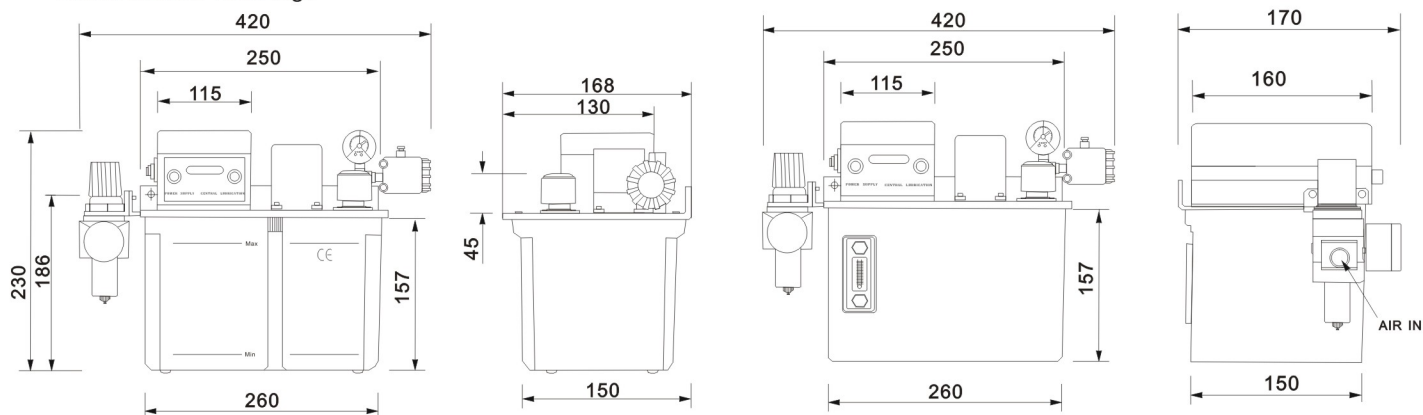


功能特點 Features

- PLC控制工作時間，可與機器聯動，配置電磁閥控制氣源。
- 齒輪式油泵配置連續型工作電機，可長時間連續噴霧。
- 可單獨調節噴霧器的油量和氣量，可減少油量使用。
- 金屬油箱防銹防振動，提高生產效率和品質。
- 帶缺油報警和空氣過濾。
- 適用於純淨潤滑油、微量植物油。
- Can be linked together with the machine.
- Level switch ready to alarm when low level.
- Long-running motor ready, can work continuously.
- Liquid and air volume can be adjusted seperately, use oil more accurately.
- Anti-rust and anti-vibration metal tank, less worry.
- Can use lubricating oil and vegetable oil.

尺寸圖

Dimensional drawings



透明油箱 (4 liter Plastic tank)

單位 (Unit): mm

金屬油箱 (4 liter Iron tank)

規格表

Specifications

型號 Model	YS-BPV-PG	YS-BPV-PG-M
容量 Reservoir capacity	4L(Plastic)	4L/8L/20L (IRON)
控制方式 Control type	PLC	PLC
電壓 Voltage	AC220V	AC220V
電磁閥 Solenoid valve	✓	✓
缺油報警 Level switch	✓	✓
齒輪泵 Gear pump	✓	✓
空氣入口徑 Air inlet	6mm	6mm
液體入口徑 Liquid inlet	4mm	4mm
標準噴霧管長 Sprayer hose length	300mm//470mm	300/470mm
氣管長度 Air hose length	3000mm	3000mm
噴霧器型號 Coolant hose kit	YS-BPV-3000-III YSHT-D YSHT-U	YS-BPV-3000-III YSHT-D YSHT-U
用油範圍 Coolant viscosity range	30-68cst.	30-68cst.
氣壓範圍 Air source pressure range	5-7kgf/cm2	5-7kgf/cm2

氣動式噴霧泵

Pneumatic Oil Mist Pump Units

YSHT-AM-P



YSHT-GM-P



YSHT-OB-P



■ 功能特點 Features

- 氣動泵工作原理配置電磁閥。
- 脈衝控制噴霧時間更精準，噴霧時間可控制到0.1秒每次。
- 可單獨調節噴霧器的油量和氣量。
- 對於工作環境要求較高的場合。
- 適用於各種機床金屬切削加工場合。
- 適用液體為純淨潤滑油、微量植物油等。
- Include solenoid valve.
- Using pulse control, more precise control of spray time.
- Coolant and air volume can be adjusted separately, cooling effect more better.
- Suitable for all kinds of metal cutting processing applications.
- Suitable for high demand applications.
- Please use pure lubricating oil and vegetable oil.
- PLC控制工作時間，齒輪式油泵，可連續性噴油。
- 可單獨調節噴霧器的油量和氣量。
- 適用於各種機床金屬切削加工場合。
- 適用液體為純淨潤滑油、微量植物油等。
- 可分多個噴霧點，並達到均勻霧化潤滑效果。
- PLC control, gear pump drive, can spray continuously for a long time.
- Coolant and air volume can be adjusted individually, cooling effect more better.
- Suitable for all kinds of metal cutting processing applications.
- Multiple spray nozzles work at the same time, the atomization effect is more uniform.
- Please use pure lubricating oil and vegetable oil.

■ 規格表

Specifications

型號 Model	YSHT-AM-P	YSHT-GM-P	YSHT-OB-P
容量 Reservoir capacity	3L(Plastic)	3L(Plastic)	3L
電壓 Voltage	AC220V	AC220V	DC24/AC220V
電磁閥 Solenoid valve	✓	✓	✓
空氣入口徑 Air inlet	8mm	6mm	8mm
噴霧頭數量 Coolant hose kit number	1-10	1-30	1-10
氣管長度 Air tube length	3000mm	3000mm	3000mm
用油範圍 Coolant viscosity range	30-68cst.	30-68cst.	42-68cst.

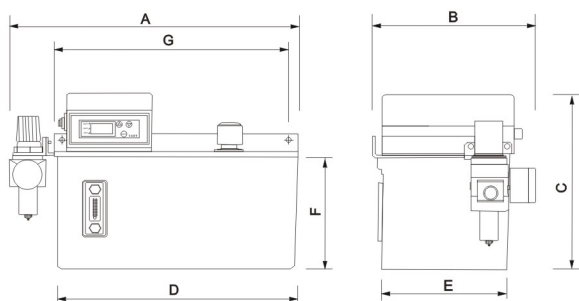
電動式噴霧泵 Timer Control Coolant Pump Units

功能特點 Features



- 全自動或半自動控制，配置電磁閥控制氣源。
- 油量大，冷卻性能佳，潤滑性高。
- 可單獨調節噴霧器的油量和氣量，冷卻霧化效果好。
- 達到有效的降低成本的目標。
- 適用液體為純淨潤滑油、微量植物油等。
- Full-auto and semi-auto optional, include solenoid valve.
- Big spray volume, better lubricating effect and cooling effect.
- Coolant and air volume can be adjusted individually, cooling effect more better.
- Can effectively reduce costs.
- Please use pure lubricating oil and vegetable oil.

- 全自動或半自動控制時間，自吸式原理，配置電磁閥控制氣源。
- 油量大，冷卻性能佳，潤滑性高。
- 可單獨調節噴霧器的油量和氣量，冷卻霧化效果好。
- 適用液體為純淨潤滑油、微量植物油，水等。
- Full-auto and semi-auto optional, include solenoid valve.
- Big spray volume, better lubricating effect and cooling effect.
- Coolant and air volume can be adjusted individually, cooling effect more better.
- Please use pure lubricating oil and vegetable oil.



型號 Model	A(mm)	B(mm)	C(mm)	D(mm)	E(mm)	F(mm)	G(mm)	H(mm)
10 Liter	365	210	280	340	305	220	150	115
20 Liter	440	280	340	415	380	290	215	115

規格表

Specifications

型號 Model	YSHT-CW-AG	YSHT-CW-PG	YS-BPV-CA	YS-BPV-CP
容量 Reservoir capacity	10L/20L	10L/20L	10L/20L	10L/20L
控制方式 Control type	Timer	PLC	Timer	PLC
電壓 Voltage	AC220V	AC220V	AC220V	AC220V
電磁閥 Solenoid valve	✓	✓	✓	✓
缺油報警 Level switch	✓	✓	✓	✓
齒輪泵 Gear pump	✓	✓	×	×
空氣入口徑 Air inlet	6mm	6mm	6mm	6mm
液體入口徑 Liquid inlet	4mm	4mm	4mm	4mm
液體要求 Liquid requirement	Oil	Oil	Oil/Water	Oil/Water
氣管長度 Air tube length	3000mm	3000mm	3000mm	3000mm
用油範圍 Coolant viscosity range	30-68cst	30-68cst	0-68cst	00-68cst
氣壓範圍 Air source pressure range	5-7kgf/cm ²	5-7kgf/cm ²	5-7kgf/cm ²	5-7kgf/cm ²

自動滴油裝置

Automatic Dripping Devices

YSHT-BA

功能特點 Features

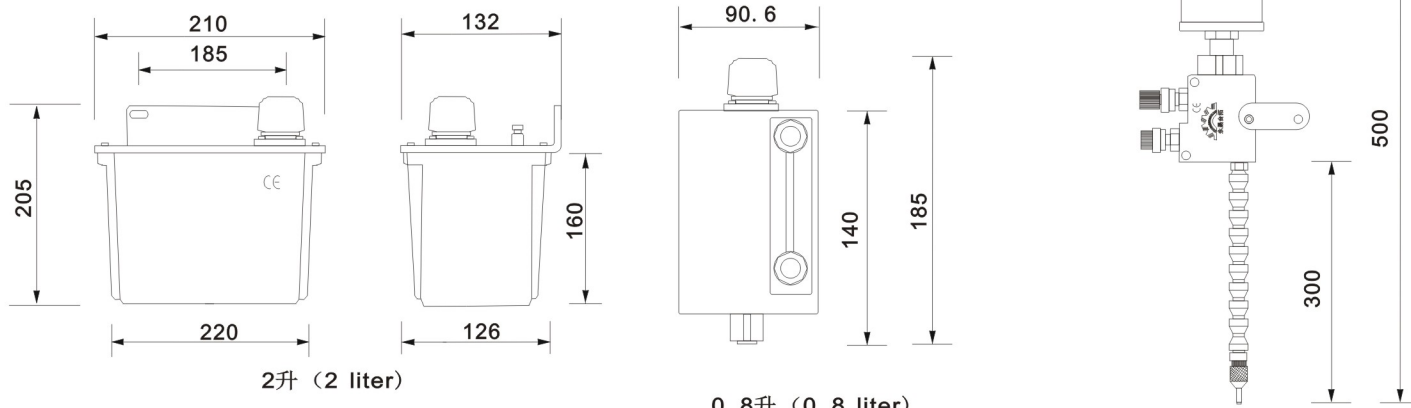
- 自動滴油，帶電磁閥控制。 Include solenoid valve. Auto dripping.
- 可調節油量大小，操作簡單方便。 Volume adjustable, easy operation.
- 滴油速率大小可調節，可與客戶機器連接動作。 Drip rate adjustable.



型號 Model	YS-BPV-NYB100
容量 Reservoir capacity	100CC
電磁閥 Solenoid valve	Optional
空氣入口徑 Air inlet	6mm
液體入口徑 Oil inlet	4mm
噴霧頭數量 Coolant hose kit number	1
氣管長度 Air tube length	3000mm
用油範圍 Coolant viscosity range	0-68cst.

尺寸圖

Dimensional drawings



規格表

Specifications

單位 (Unit): mm

型號 Model	YSHT-BA1	YSHT-BA2	YSHT-BA3
容量 Reservoir capacity	3L/4L	3L/4L	0.6L/1L/2L/4L
由箱材質 Tank material	Plastic	Plastic	Iron
電磁閥 Solenoid valve	✓	✓	×
連接部件 Connecting parts	Copper tube	Brush	Brush
液體要求 Liquid requirement	Oil/Water	Oil/Water	Oil/Water
接管長度 Tube length	300mm	300mm	×
用油範圍 Coolant viscosity range	0-68cst	0-68cst	0-68cst

自吸式噴嘴系列

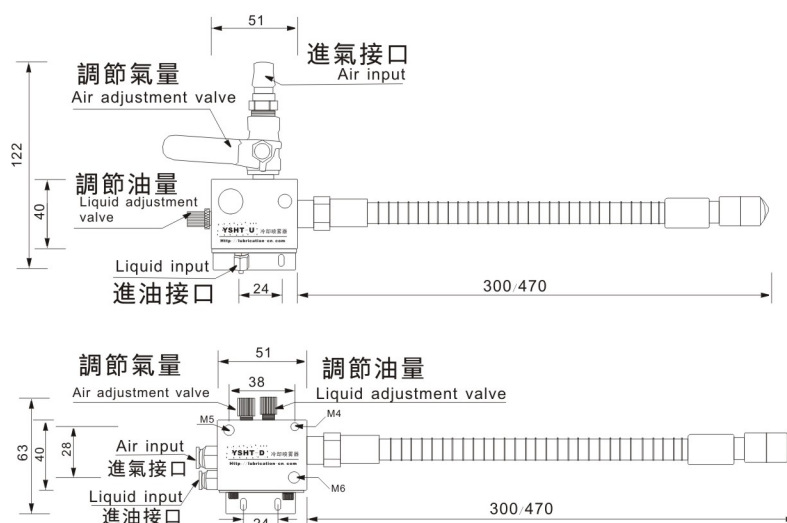
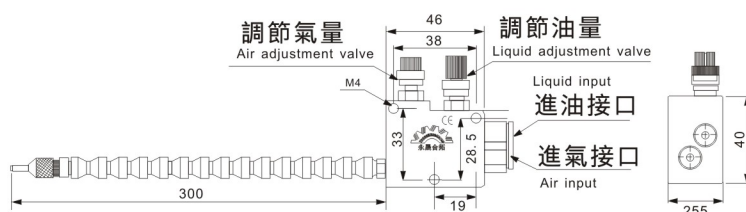
Oil Mist Spray Hose Kits



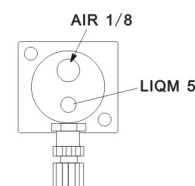
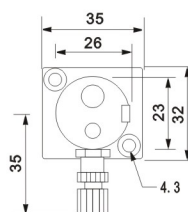
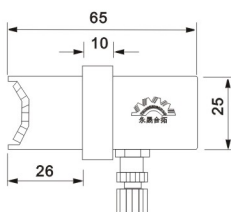
型號 Model	YS-BPV-3000-III
空氣入口徑 Air inlet thread	6mm
液體入口徑 Liquid inlet thread	4mm
標準噴霧管長 Hose length	225mm 300mm
管材質 Hose material	Optional: Plastic/Metal
閥體材質 Valve body	Aluminum alloy
耗水量 Water consumption	16cc/min
耗油量 Lubricant consumption	R32:7cc/min
配帶安裝片 Mounting slice	✓
用油範圍 Coolant viscosity range	0-68cst.
氣壓範圍 Air source pressure range	5-7kgf/cm ²

功能特點 Features

- 自吸式原理，可潔淨加工環境
- 可調節油量氣量大小，操作簡單方便。
- 提高加工精度，可與客戶機器連接動作。
- Based on the self-priming principle, easy to use.
- Both the oil volume and the air volume are individually adjustable and easy to operate.
- Can effectively improve processing accuracy.



型號 Model	YSHT-D	YSHT-U	CS-1200
空氣入口徑 Air inlet thread	6mm	6mm	6mm
液體入口徑 Liquid inlet thread	4mm	4mm	4mm
標準噴霧管長 Hose length	300/470	300/470	×
管材質 Hose material	Optional: Plastic/Metal	Optional: Plastic/Metal	×
閥體材質 Valve body	Aluminum alloy	Aluminum alloy	Aluminum alloy
耗水量 Water consumption	16cc/min	16cc/min	18cc/min
耗油量 Lubricant consumption	R32:7cc/min	R32:7cc/min	R32:9cc/min
配帶安裝片 Mounting slice	✓	✓	✓
用油範圍 Coolant viscosity range	0-68cst.	0-68cst.	0-68cst.
氣壓範圍 Air source pressure range	5-7kgf/cm ²	5-7kgf/cm ²	5-7kgf/cm ²

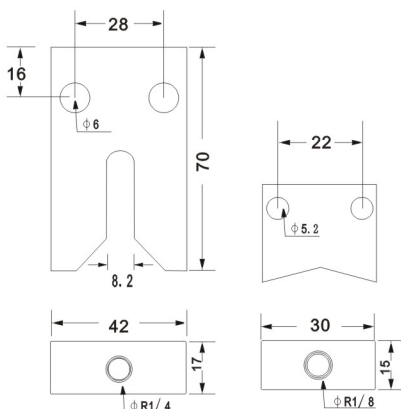
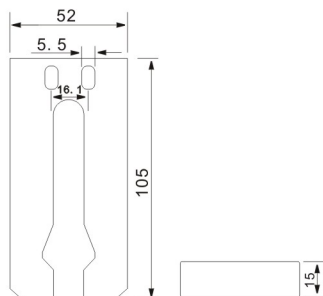
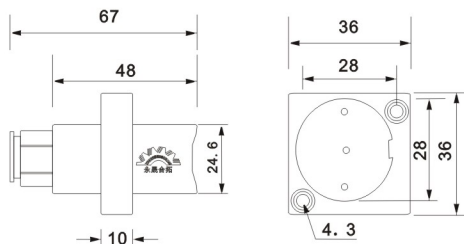
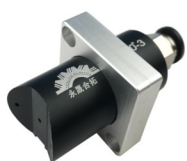


MQL噴嘴系列

MQL Spray Hose Kits

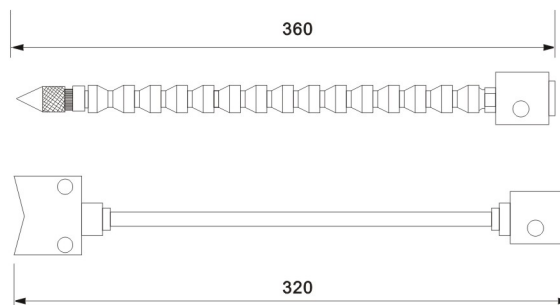
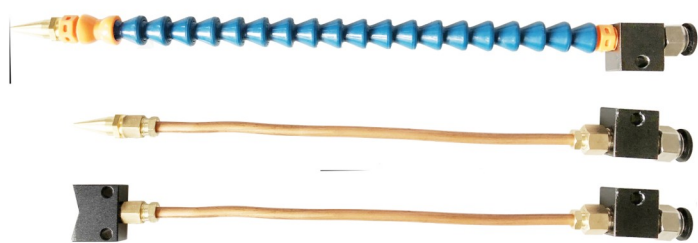
功能特點 Features

- 圓鋸專用噴頭，配合MQL噴霧泵使用。
- 噴頭使用三個角度設計，適用於帶鋸或圓鋸等噴霧。
- Special nozzle for MQL units.
- The nozzles are designed with three angles, suitable for band saws and circular saws.



型號 Model	CS-130-3	DS-89-2-2
空氣入口徑 Air inlet thread	10mm	10mm
液體入口徑 Liquid inlet thread	4mm	4mm
標準噴霧管長 Hose length	×	×
閥體材質 Valve body	Aluminum alloy	Aluminum alloy
耗油量 Lubricant consumption	0.005-0.03cc/min	0.005-0.03cc/min
噴霧角度 Spray angle	130°	89°
配帶安裝片 Mounting slice	✓	×
用油範圍 Coolant viscosity range	30-46cst.	30-46cst.
氣壓範圍 Air source pressure range	5-8kgf/cm ²	5-8kgf/cm ²

型號 Model	DS-90-3	DS-135-2
空氣入口徑 Air inlet thread	10mm	10mm
液體入口徑 Liquid inlet thread	4mm	4mm
標準噴霧管長 Hose length	×	×
閥體材質 Valve body	Aluminum alloy	Aluminum alloy
耗油量 Lubricant consumption	0.005-0.03cc/min	0.005-0.03cc/min
噴霧角度 Spray angle	90°	135°
配帶安裝片 Mounting slice	✓	✓
用油範圍 Coolant viscosity range	30-46cst.	30-46cst.
氣壓範圍 Air source pressure range	5-8kgf/cm ²	5-8kgf/cm ²



型號 Model	AS-300-1	AS-300-2
空氣入口徑 Air inlet thread	10mm	10mm
液體入口徑 Liquid inlet thread	4mm	4mm
標準噴霧管長 Hose length	300	300
管材質 Hose material	Plastic	Metal
閥體材質 Valve body	Aluminum alloy	Aluminum alloy
耗油量 Lubricant consumption	0.005-0.03cc/min	0.005-0.03cc/min
配帶安裝片 Mounting slice	×	×
用油範圍 Coolant viscosity range	30-46cst.	30-46cst.
氣壓範圍 Air source pressure range	5-8kgf/cm ²	5-8kgf/cm ²

MQL微量噴霧泵

MQL Pump Units

YSHT-2551A

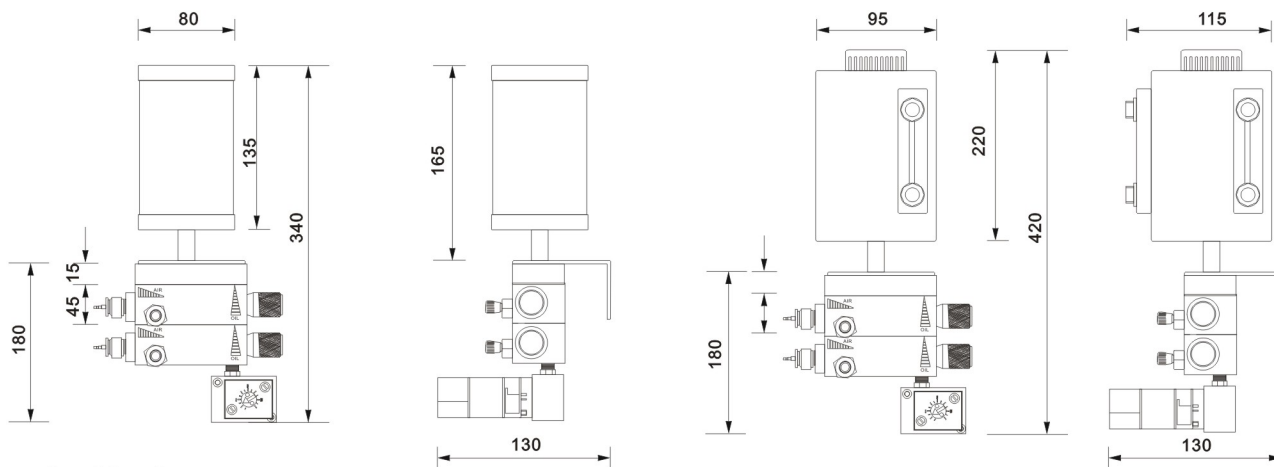


功能特點 Features

- 節省油量，降低成本，可顯著改善加工情況。
- 脈衝控制噴霧時間更精準，噴霧時間可控制到0.1秒每次。
- 精確地噴塗到切削區域，對刀具和工件進行冷卻潤滑。
- 對於工作環境要求較高的場合。
- 適用於各種金屬切削加工場合。
- 適用液體為純淨潤滑油、微量植物油等。
- Save oil, reduce costs, and significantly improve the processing environment.
- Pulse control, the spray time accuracy reaches 0.1 second each time, time control is more precise.
- Precisely spray on the cutting area to cool and lubricate the tool and workpiece.
- Suitable for high working requirements scenarios.
- Suitable for various metal cutting and processing application.
- Applicable liquids are pure lubricating oil, vegetable oil, etc.

尺寸圖

Dimensional drawings



單位 (Unit): mm

規格表

Specifications

型號 Model	YSHT2551A-AP	YSHT2551A-AM
容量 Reservoir capacity	0.6L 2L 4L(Plastic)	0.6L 1L 2L 4L(IRON)
控制方式 Control type	PLC	PLC
保護箱 Protective Shell	X	X
電壓 Voltage	Optional	Optional
電磁閥 Solenoid valve	Optional	Optional
缺油報警 Level switch	Optional	Optional
空氣入口徑 Air inlet thread	1/4PT	1/4PT
液體入口徑 Liquid inlet thread	Air 10mm Oil 4mm	Air 10mm Oil 4mm
泵浦供油量 Oil supply volume	0.005-0.03cc	0.005-0.03cc
泵浦供油頻率 Oil supply frequency	1-15sec	1-15sec
最大使用壓力 Max operating pressure	8 bar	8 bar
環境溫度 Working temperature	5° C-60° C	5° C-60° C

YSHT-2551B

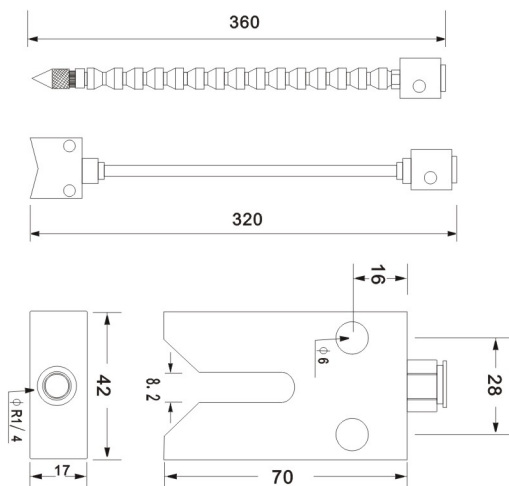
■ 功能特點 Features



- 節省油量，降低成本，可顯著改善加工情況。
- 帶保護箱，防止粉塵堵塞。
- 脈衝控制噴霧時間更精準，噴霧時間可控制到0.1秒每次。
- 精確地噴塗到切削區域，對刀具和工件進行冷卻潤滑。
- 對於工作環境要求較高的場合。
- 適用於各種金屬切削加工場合。
- 適用液體為純淨潤滑油、微量植物油等。
- Save oil, reduce costs, and significantly improve the processing environment.
- With protective box to prevent clogging by dust.
- Pulse control, the spray time accuracy reaches 0.1 second each time, time control is more precise.
- Precisely spray on the cutting area to cool and lubricate the tool and workpiece.
- Suitable for high working requirements scenarios.
- Suitable for various metal cutting and processing application.
- Applicable liquids are pure lubricating oil, vegetable oil, etc.
- 油/氣冷卻潤滑加工可延長刀具壽命，提高生產效率和品質。
- 降低加工成本提高環境保護，經實際測試可降低刀具磨損耗20%–200%，電力消耗測試比水泵浦減少40%用電量。
- Oil/Air cooling lubricating can significantly extend tool life, improve production efficiency and product quality.
- Reduce processing costs and improve environmental protection. After actual tests, tool loss can be reduced by 20%-50%, and electricity consumption is 40% less than water pumps.

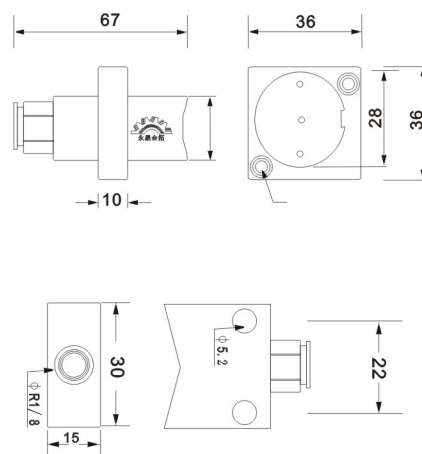
■ 噴頭選配 Spray Nozzles Selection

A-S-300噴頭



DS-90-3帶鋸噴頭

CS-130-3圓鋸噴頭



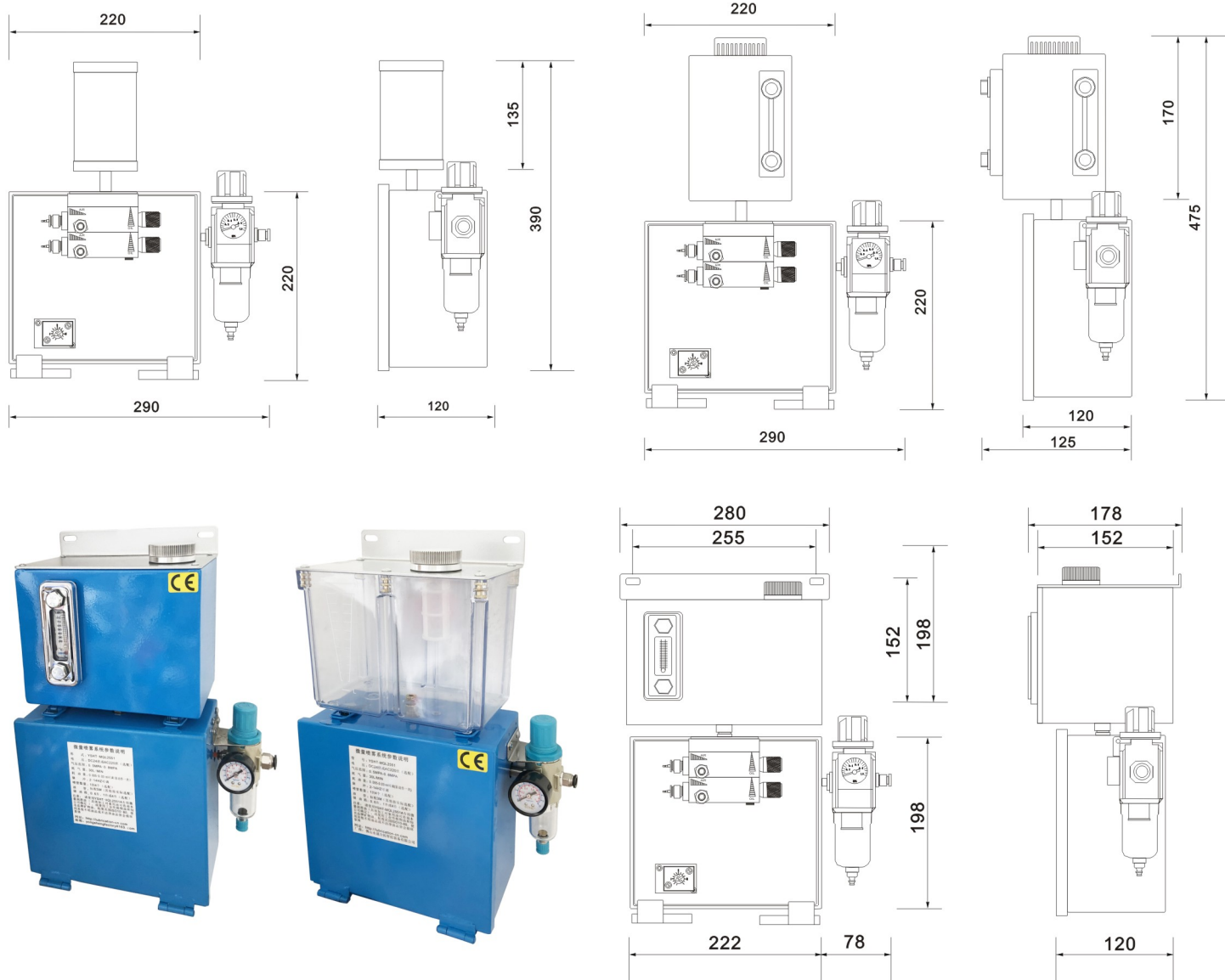
DS-135-2帶鋸噴頭

MQL 微量噴霧泵

MQL Pump Units

尺寸圖

Dimensional drawings



單位 (Unit): mm

規格表

Specifications

型號 Model	YSHT2551A-BP	YSHT2551A-BM
容量 Reservoir capacity	0.6L 2L 4L(Plastic)	0.6L 1L 2L 4L(IRON)
控制方式 Control type	PLC	PLC
保護箱 Protective Shell	✓	✓
電壓 Voltage	AC220V/DC24V	AC220V/DC24V
電磁閥 Solenoid valve	✓	✓
缺油報警 Level switch	✓	✓
空氣入口徑 Air inlet thread	1/4PT	1/4PT
液體入口徑 Liquid inlet thread	Air 10mm Oil 4mm	Air 10mm Oil 4mm
泵浦供油量 Oil supply volume	0.005-0.03cc	0.005-0.03cc
泵浦供油頻率 Oil supply frequency	1-15sec	1-15sec
最大使用壓力 Max operating pressure	8 bar	8 bar
環境溫度 Working temperature	5° C-60° C	5° C-60° C

MQL微量潤滑系統簡介：

機器使用者可以通過使用微量潤滑系統（MQL）顯著降低生產成本。由于更精確的表面加工，這些系統可以實現更長的刀具壽命，提高產品質量。微量潤滑系統系統不需要冷卻潤滑劑，因此可以節約潤滑劑、相關的潤滑劑過濾器、制備系統的成本和處置。此外還不需要清理工件和碎屑。

MQL introduction:

Machine operators can reduce production costs significantly by using minimal quantity lubrication systems (MQL). These systems provide longer tool life and improved production quality due to more precise surface machining. Because MQL systems do not require cooling lubricant, the cost of that lubricant, its associated lubricant filters, preparation systems and disposal is eliminated. Also workpieces and chippings do not need to be cleaned.

MQL微量潤滑系統的特點：

延長切削工具使用壽命。

提高切削速度，提高生產效率。

降低維護成本。

實現了更好的加工表面質量。

降低燃料消耗及CO2排放量。

Features:

Extends the service life of the cutting tool.

Increases productivity with higher cutting speed.

Reduces maintenance costs.

Enables better machining surface and quality.

Reduces energy consumption and CO2 emissions.

應用範圍 Applications:

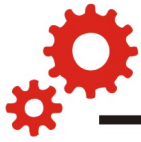
磨粉 Milling
 滾動 Rolling
 切割 Cutting
 鑽孔 Drilling
 打孔 Boring
 成形 Forming

規格表

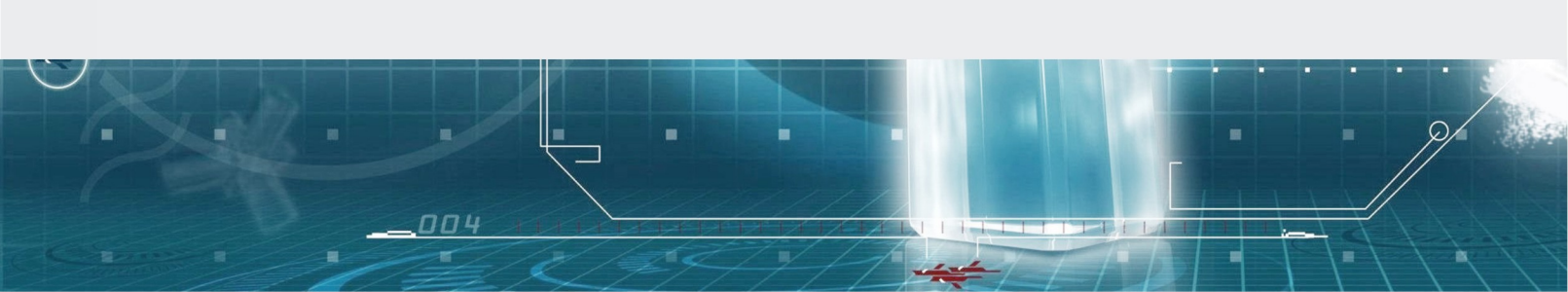
Specifications



型號 Model	YSHT2551A-A	YSHT2551A-B	YSHT2551A-C
外觀	透明液体	透明液体	透明液体
顏色	淡红色	淡蓝色	淡黄色
適用金屬品種	铝材 亚克力等	铝材 铜材亚克力等	钢材 铜材等
黏度	38Cst	38Cst	38Cst
閃火點	>320C	>330C	>350C
基礎油	Oil	Oil	Oil
氯含量	X	X	X
抗凍溫度	-26C	-26C	-26C
金屬腐蝕測試	X	X	X
空氣中燃爆上限	28.8	28.8	28.8
空氣中燃爆下限	39.6	39.6	39.6



工匠精神，智造未來



佛山永晟合拓智能裝備有限公司
Foshan Yongshenghetuo Intelligent Equipment Co., Ltd.

公司地址：佛山南海大瀝謝邊第一工業區8號4號樓
電話：0757-85572381
傳真：0757-85571961
公司網址：<http://lubrication-cn.com>

