



佛山永晟合拓智能裝備有限公司

Foshan Yongshenghetuo Intelligent Equipment Co., Ltd.

微量冷却噴霧潤滑系統

Minimal Quantity Lubrication System

高速切削潤滑系統

High Speed Machining Lubrication System

佛山永晟合拓智能裝備有限公司

Foshan Yongshenghetuo Intelligent Equipment Co., Ltd.

公司地址：佛山南海大瀝謝邊第一工業區8號4號樓

電話：0757-85572381

傳真：0757-85571961

公司網址：<http://lubrication-cn.com>

郵箱：yongshengfactory@163.com



簡易噴霧裝置

Oil Mist Units

YS-BPV-C



YS-CS-C

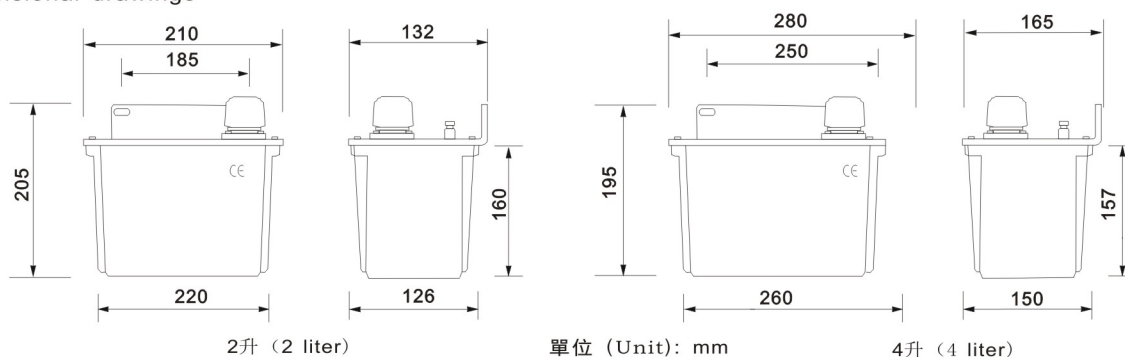


功能特點 Features

- 體積小，安裝簡易方便，配有安裝孔位。
- 藍色二流體曲管密封性強，彎曲度大，可自由調節彎曲角度。
- 可單獨調節噴霧器的油量和氣量，冷卻霧化效果佳。
- 推薦使用潔淨不帶腐蝕性液體及油品。
- Compact, include mounting holes, easy to install.
- Adopt blue two fluid curved hose, strong sealing and good flexibility, spray angle can be adjusted flexibly.
- Coolant and air volume can be adjusted seperately, cooling effect more better.
- 體積小，安裝簡易方便，配有安裝孔位。
- 專業圓鋸噴頭，三個角度噴射，噴霧效果集中。
- 可單獨調節噴霧器的油量和氣量，冷卻霧化效果佳。
- 推薦使用潔淨不帶腐蝕性液體及油品。
- Circular saw spray nozzle, spray in three angles at the same time.
- Coolant and air volume can be adjusted seperately, cooling effect more better.
- Use clean, non-corrosive liquids and oils.

尺寸圖

Dimensional drawings



規格表

Specifications

型號 Model	YS-BPV-C	YS-CS-C
容量 Reservoir capacity	2L/4L/8L/20L	2L/4L/8L/20L
空氣入口徑 Air inlet	6mm	6mm
液體入口徑 Liquid inlet	4mm	4mm
標準噴霧管長 Sprayer hose length	300mm	×
氣管長度 Air hose length	3000mm	3000mm
噴霧器型號 Coolant hose kit	YS-BPV-3000-III/YSHT-U/YSHT-D	CS-1200
用油範圍 Coolant viscosity range	0-68cst.	0-68cst.
氣壓範圍 Air source pressure range	5-7kgf/cm ²	5-7kgf/cm ²

PLC式噴霧裝置 PLC Control Oil Mist Units

YS-BPV-CP



功能特點 Features

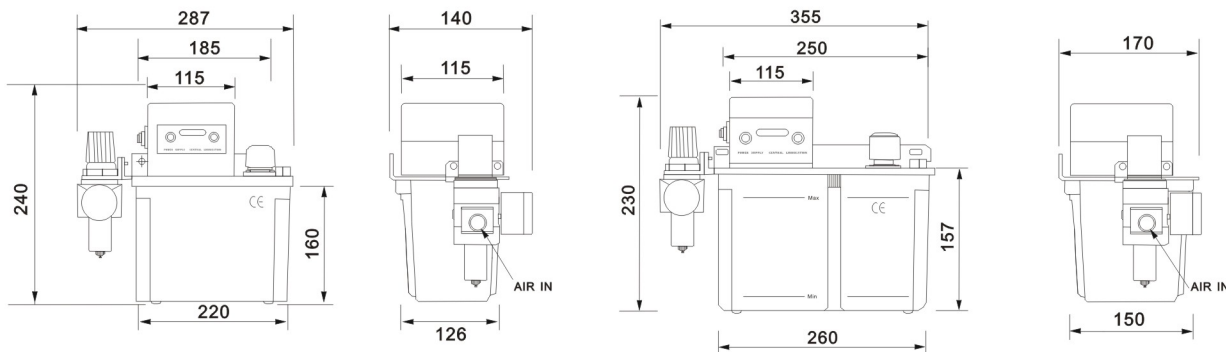
- 配置電磁閥控制氣源，能與機器聯動，并帶液位報警。
- 噴霧管有藍色竹節管和可彎曲金屬管。
- 可單獨調節噴霧器的油量和氣量，冷卻霧化效果佳。
- 推薦使用潔淨不帶腐蝕性液體及油品。
- 使用潤滑油約7cc/min,使用水約16cc/min。
- Equipped with solenoid valve to control the air source.
- Equipped with level switch to alarm low level.
- Can be linked together with the machine.
- Plastic and metal hose are optional.
- Liquid and air volume can be adjusted separate, more better cooling effect.
- It is recommended to use clean, non-corrosive liquids and oils.
- Lubricant consumption: 7cc/min, water consumption: 16cc/min.

YSHT-CP



尺寸圖

Dimensional drawings



規格表

Specifications

2升 (2 liter)

單位 (Unit): mm

4升 (4 liter)

型號 Model	YS-BPV-CP	YSHT-CP
容量 Reservoir capacity	2L/4L/8L/20L	2L/4L/8L/20L
控制方式 Control type	PLC	PLC
電壓 Voltage	AC220V/AC110V/DC24V	AC220V/AC110V/DC24V
電磁閥 Solenoid valve	✓	✓
缺油報警 Level switch	✓	✓
空氣入口徑 Air inlet	6mm	6mm
液體入口徑 Liquid inlet	4mm	4mm
標準噴霧管長 Sprayer hose length	300mm	300/470mm
氣管長度 Air hose length	3000mm	3000mm
噴霧器型號 Coolant hose kit	YS-BPV-3000-III	YSHT-U/YSHT-D
用油範圍 Coolant viscosity range	0-68cst.	0-68cst.
氣壓範圍 Air source pressure range	5-7kgf/cm ²	5-7kgf/cm ²

YS-CS-CP

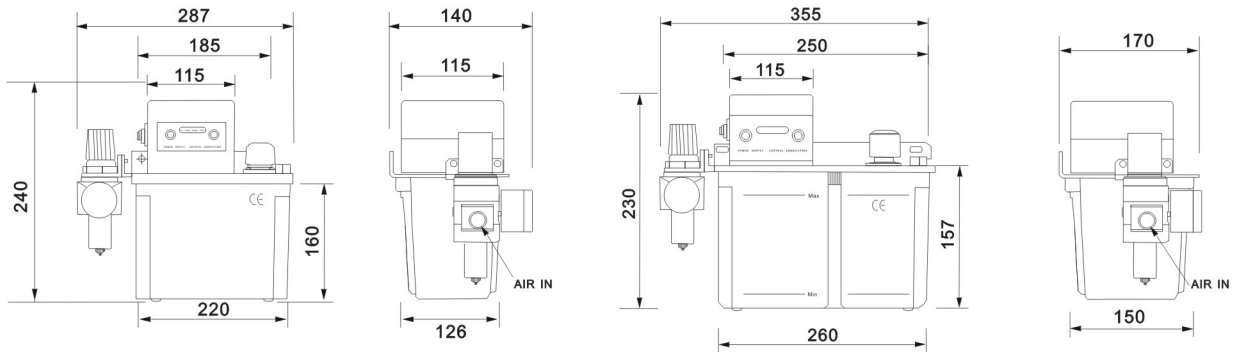


■ 功能特點 Features

- 配置电磁阀并与机器联动，并带液位报警。
- 配置圆锯专用喷头，适合圆锯机，带锯机专用。
- 可单独调节喷雾器的油量和气量，冷却雾化效果佳。
- 达到有效的降低成本的目标。
- 推荐使用洁净不带腐蚀性液体及油品。
- Equipped with solenoid valve to control the air source.
- Equipped with level switch to alarm low level.
- Can be linked together with the machine.
- Equipped with special nozzles for circular saws.
- Liquid and air volume can be adjusted separate, more better cooling effect.
- It is recommended to use clean, non-corrosive liquids and oils.
- Lubricant consumption: 5cc/min, water consumption: 15cc/min.

■ 尺寸圖

Dimensional drawings



2升 (2 liter)

單位 (Unit): mm

4升 (4 liter)

■ 規格表

Specifications

型號 Model	YS-CS-CP
容量 Reservoir capacity	2L/4L/8L/20L
控制方式 Control type	PLC
電壓 Voltage	AC220V/AC110V/DC24V
電磁閥 Solenoid valve	✓
缺油報警 Level switch	✓
空氣入口徑 Air inlet	6mm
液體入口徑 Liquid inlet	4mm
氣管長度 Air hose length	3000mm
噴霧器型號 Coolant hose kit	CS-1200
用油範圍 Coolant viscosity range	0-68cst.
氣壓範圍 Air source pressure range	5-7kgf/cm ²

YS-CS-CA

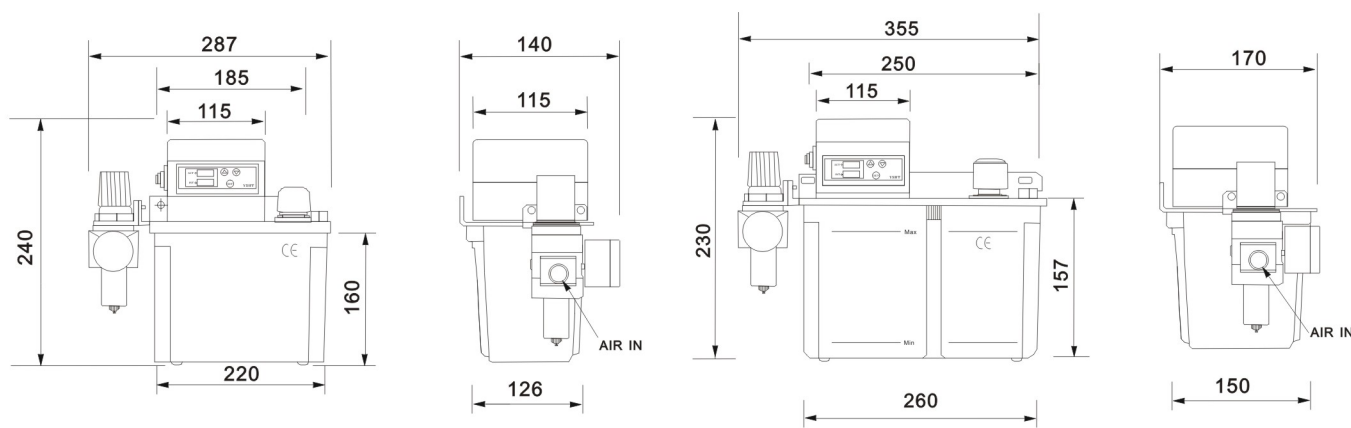


功能特點 Features

- 全自動數碼設置工作時間，配置電磁閥控制氣源，帶液位報警。
- 配置圓鋸專用噴頭，適合圓鋸機，帶鋸機專用。
- 可單獨調節噴霧器的油量和氣量，冷卻霧化效果佳。
- 提高生產效率和品質。
- 推薦使用潔淨不帶腐蝕性液體及油品。
- Timer control.
- Equipped with solenoid valve to control the air source.
- Equipped with level switch to alarm low level.
- Equipped with special nozzles for circular saws.
- Liquid and air volume can be adjusted separate, more better cooling effect.
- It is recommended to use clean, non-corrosive liquids and oils.
- Lubricant consumption: 5cc/min, water consumption: 15cc/min.

尺寸圖

Dimensional drawings



規格表

Specifications

2升 (2 liter)

單位 (Unit): mm

4升 (4 liter)

型號 Model	YS-CS-CA
容量 Reservoir capacity	2L/4L/8L/20L
控制方式 Control type	Timer
電壓 Voltage	AC220V/AC110V/DC24V
電磁閥 Solenoid valve	✓
缺油報警 Level switch	✓
空氣入口徑 Air inlet	6mm
液體入口徑 Liquid inlet	4mm
氣管長度 Air hose length	3000mm
噴霧器型號 Coolant hose kit	CS-1200
用油範圍 Coolant viscosity range	0-68cst.
氣壓範圍 Air source pressure range	5-7kgf/cm ²

YS-BPV-CA



功能特點 Features

- 全自動數碼設置工作時間，配置電磁閥控制氣源，并帶空氣過濾。
- 配帶缺油液位報警。
- 噴霧管有藍色竹節管和可彎曲金屬管。
- 可單獨調節噴霧器的油量和氣量，冷却霧化效果佳。
- 推薦使用潔淨不帶腐蝕性液體及油品。
- 使用潤滑油約7cc/min,使用水約16cc/min。

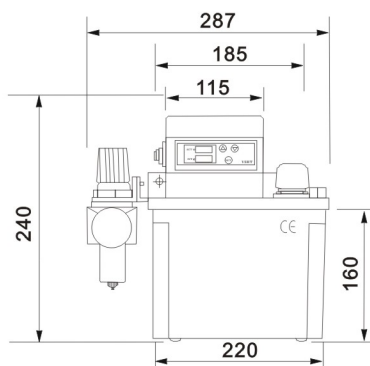
YSHT-CA



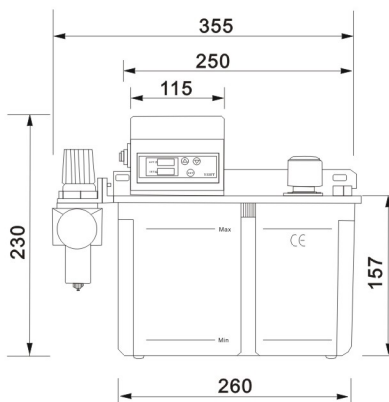
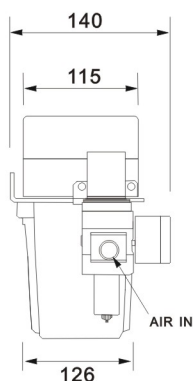
- Timer control.
- Equipped with solenoid valve to control the air source.
- Equipped with level switch to alarm low level.
- Plastic and metal hose are optional.
- Liquid and air volume can be adjusted separate, more better cooling effect.
- It is recommended to use clean, non-corrosive liquids and oils.
- Lubricant consumption: 7cc/min, water consumption: 16cc/min.

尺寸圖

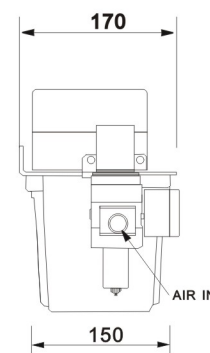
Dimensional drawings



2升 (2 liter)



單位 (Unit): mm



4升 (4 liter)

規格表

Specifications

型號 Model	YS-BPV-CA	YSHT-CA
容量 Reservoir capacity	2L/4L/8L/20L	2L/4L/8L/20L
控制方式 Control type	Timer	Timer
電壓 Voltage	AC220V/AC110V/DC24V	AC220V/AC110V/DC24V
電磁閥 Solenoid valve	✓	✓
缺油報警 Level switch	✓	✓
空氣入口徑 Air inlet	6mm	6mm
液體入口徑 Liquid inlet	4mm	4mm
標準噴霧管長 Sprayer hose length	300mm	300/470mm
氣管長度 Air hose length	3000mm	3000mm
噴霧器型號 Coolant hose kit	YS-BPV-3000-III	YSHT-U/YSHT-D
用油範圍 Coolant viscosity range	0-68cst.	0-68cst.
氣壓範圍 Air source pressure range	5-7kgf/cm ²	5-7kgf/cm ²

數顯式噴霧泵 Timer Control Coolant Pump Units 永晟合拓

YS-BPV-AG

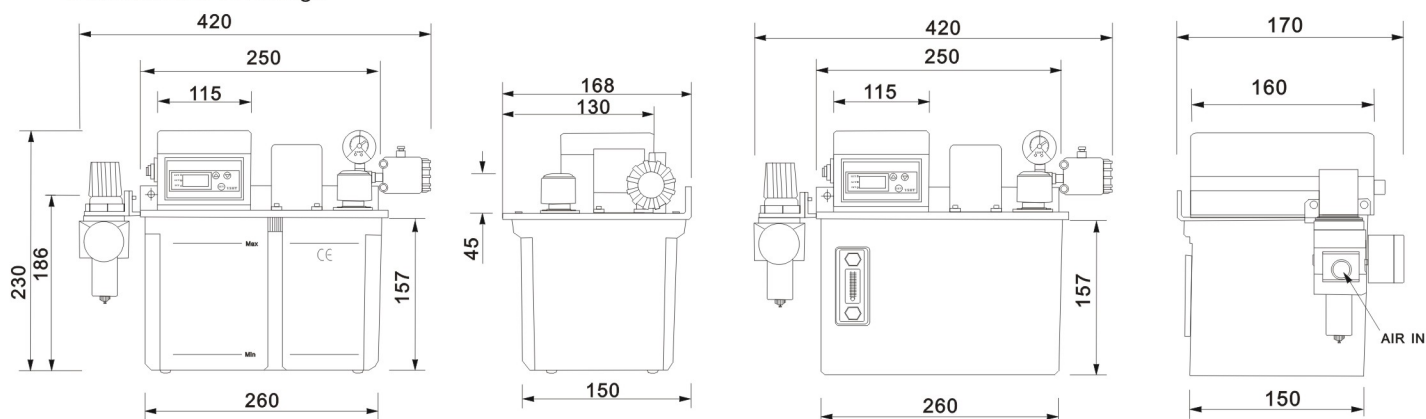


■ 功能特點 Features

- 全自動雙顯可設置工作時間，配置電磁閥控制氣源，帶液位報警。
- 齒輪式油泵配置連續型工作電機，可長時間連續噴霧。
- 可單獨調節噴霧器的油量和氣量，可減少使用油量。
- 金屬油箱防銹防振動，提高生產效率和品質。
- 適用於純淨潤滑油、微量植物油。
- Dual digital panel timer control, achieve fully automatic, free hands Solenoid valve ready to control the air source.
- Level switch ready to alarm when low level.
- Long-running motor ready, can work continuously.
- Liquid and air volume can be adjusted separately, use oil more accurately.
- Anti-rust and anti-vibration metal tank, less worry.
- Can use lubricating oil and vegetable oil.

■ 尺寸圖

Dimensional drawings



透明油箱 (4 liter Plastic tank)

單位 (Unit): mm 金屬油箱 (4 liter Iron tank)

■ 規格表

Specifications

型號 Model	YS-BPV-AG	YS-BPV-AG-M
容量 Reservoir capacity	4L(Plastic)	4L/8L/20L (IRON)
控制方式 Control type	Timer	Timer
電壓 Voltage	AC220V	AC220V
電磁閥 Solenoid valve	✓	✓
缺油報警 Level switch	✓	✓
齒輪泵 Gear pump	✓	✓
空氣入口徑 Air inlet	6mm	6mm
液體入口徑 Liquid inlet	4mm	4mm
標準噴霧管長 Sprayer hose length	300mm//470mm	300/470mm
氣管長度 Air hose length	3000mm	3000mm
噴霧器型號 Coolant hose kit	YS-BPV-3000-III YSHT-D YSHT-U	YS-BPV-3000-III YSHT-D YSHT-U
用油範圍 Coolant viscosity range	30-68cst.	30-68cst.
氣壓範圍 Air source pressure range	5-7kgf/cm2	5-7kgf/cm2

PLC式噴霧泵

PLC Control Coolant Pump Units

YS-BPV-PG

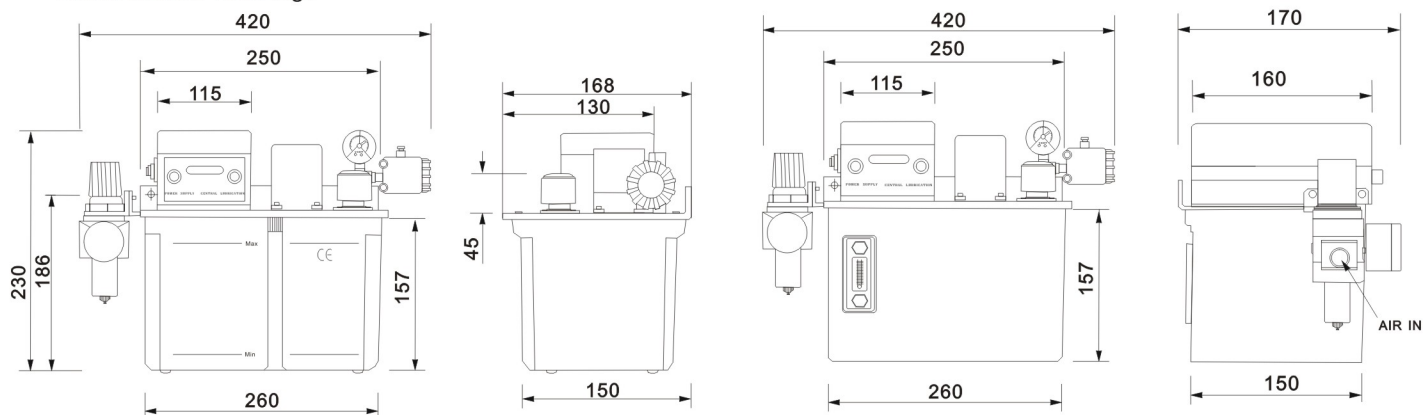


功能特點 Features

- PLC控制工作時間，可與機器聯動，配置電磁閥控制氣源。
- 齒輪式油泵配置連續型工作電機，可長時間連續噴霧。
- 可單獨調節噴霧器的油量和氣量，可減少油量使用。
- 金屬油箱防銹防振動，提高生產效率和品質。
- 帶缺油報警和空氣過濾。
- 適用於純淨潤滑油、微量植物油。
- Can be linked together with the machine.
- Level switch ready to alarm when low level.
- Long-running motor ready, can work continuously.
- Liquid and air volume can be adjusted seperately, use oil more accurately.
- Anti-rust and anti-vibration metal tank, less worry.
- Can use lubricating oil and vegetable oil.

尺寸圖

Dimensional drawings



透明油箱 (4 liter Plastic tank)

單位 (Unit): mm

金屬油箱 (4 liter Iron tank)

規格表

Specifications

型號 Model	YS-BPV-PG	YS-BPV-PG-M
容量 Reservoir capacity	4L(Plastic)	4L/8L/20L (IRON)
控制方式 Control type	PLC	PLC
電壓 Voltage	AC220V	AC220V
電磁閥 Solenoid valve	✓	✓
缺油報警 Level switch	✓	✓
齒輪泵 Gear pump	✓	✓
空氣入口徑 Air inlet	6mm	6mm
液體入口徑 Liquid inlet	4mm	4mm
標準噴霧管長 Sprayer hose length	300mm//470mm	300/470mm
氣管長度 Air hose length	3000mm	3000mm
噴霧器型號 Coolant hose kit	YS-BPV-3000-III YSHT-D YSHT-U	YS-BPV-3000-III YSHT-D YSHT-U
用油範圍 Coolant viscosity range	30-68cst.	30-68cst.
氣壓範圍 Air source pressure range	5-7kgf/cm2	5-7kgf/cm2

氣動式噴霧泵

Pneumatic Oil Mist Pump Units

YSHT-AM-P



YSHT-GM-P



YSHT-OB-P



■ 功能特點 Features

- 氣動泵工作原理配置電磁閥。
- 脈衝控制噴霧時間更精準，噴霧時間可控制到0.1秒每次。
- 可單獨調節噴霧器的油量和氣量。
- 對於工作環境要求較高的場合。
- 適用於各種機床金屬切削加工場合。
- 適用液體為純淨潤滑油、微量植物油等。
- Include solenoid valve.
- Using pulse control, more precise control of spray time.
- Coolant and air volume can be adjusted separately, cooling effect more better.
- Suitable for all kinds of metal cutting processing applications.
- Suitable for high demand applications.
- Please use pure lubricating oil and vegetable oil.
- PLC控制工作時間，齒輪式油泵，可連續性噴油。
- 可單獨調節噴霧器的油量和氣量。
- 適用於各種機床金屬切削加工場合。
- 適用液體為純淨潤滑油、微量植物油等。
- 可分多個噴霧點，並達到均勻霧化潤滑效果。
- PLC control, gear pump drive, can spray continuously for a long time.
- Coolant and air volume can be adjusted individually, cooling effect more better.
- Suitable for all kinds of metal cutting processing applications.
- Multiple spray nozzles work at the same time, the atomization effect is more uniform.
- Please use pure lubricating oil and vegetable oil.

■ 規格表

Specifications

型號 Model	YSHT-AM-P	YSHT-GM-P	YSHT-OB-P
容量 Reservoir capacity	3L(Plastic)	3L(Plastic)	3L
電壓 Voltage	AC220V	AC220V	DC24/AC220V
電磁閥 Solenoid valve	✓	✓	✓
空氣入口徑 Air inlet	8mm	6mm	8mm
噴霧頭數量 Coolant hose kit number	1-10	1-30	1-10
氣管長度 Air tube length	3000mm	3000mm	3000mm
用油範圍 Coolant viscosity range	30-68cst.	30-68cst.	42-68cst.

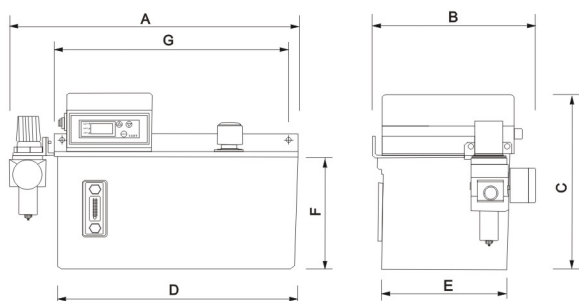
電動式噴霧泵 Timer Control Coolant Pump Units

功能特點 Features



- 全自動或半自動控制，配置電磁閥控制氣源。
- 油量大，冷卻性能佳，潤滑性高。
- 可單獨調節噴霧器的油量和氣量，冷卻霧化效果好。
- 達到有效的降低成本的目標。
- 適用液體為純淨潤滑油、微量植物油等。
- Full-auto and semi-auto optional, include solenoid valve.
- Big spray volume, better lubricating effect and cooling effect.
- Coolant and air volume can be adjusted individually, cooling effect more better.
- Can effectively reduce costs.
- Please use pure lubricating oil and vegetable oil.

- 全自動或半自動控制時間，自吸式原理，配置電磁閥控制氣源。
- 油量大，冷卻性能佳，潤滑性高。
- 可單獨調節噴霧器的油量和氣量，冷卻霧化效果好。
- 適用液體為純淨潤滑油、微量植物油，水等。
- Full-auto and semi-auto optional, include solenoid valve.
- Big spray volume, better lubricating effect and cooling effect.
- Coolant and air volume can be adjusted individually, cooling effect more better.
- Please use pure lubricating oil and vegetable oil.



型號 Model	A(mm)	B(mm)	C(mm)	D(mm)	E(mm)	F(mm)	G(mm)	H(mm)
10 Liter	365	210	280	340	305	220	150	115
20 Liter	440	280	340	415	380	290	215	115

規格表

Specifications

型號 Model	YSHT-CW-AG	YSHT-CW-PG	YS-BPV-CA	YS-BPV-CP
容量 Reservoir capacity	10L/20L	10L/20L	10L/20L	10L/20L
控制方式 Control type	Timer	PLC	Timer	PLC
電壓 Voltage	AC220V	AC220V	AC220V	AC220V
電磁閥 Solenoid valve	✓	✓	✓	✓
缺油報警 Level switch	✓	✓	✓	✓
齒輪泵 Gear pump	✓	✓	×	×
空氣入口徑 Air inlet	6mm	6mm	6mm	6mm
液體入口徑 Liquid inlet	4mm	4mm	4mm	4mm
液體要求 Liquid requirement	Oil	Oil	Oil/Water	Oil/Water
氣管長度 Air tube length	3000mm	3000mm	3000mm	3000mm
用油範圍 Coolant viscosity range	30-68cst	30-68cst	0-68cst	00-68cst
氣壓範圍 Air source pressure range	5-7kgf/cm ²	5-7kgf/cm ²	5-7kgf/cm ²	5-7kgf/cm ²

自動滴油裝置

Automatic Dripping Devices

YSHT-BA

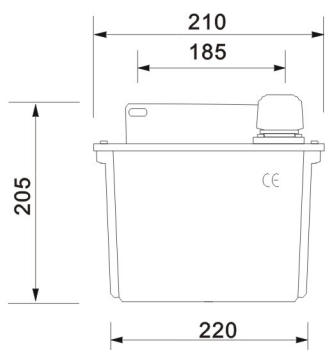
功能特點 Features

- 自動滴油，帶電磁閥控制。 Include solenoid valve. Auto dripping.
- 可調節油量大小，操作簡單方便。 Volume adjustable, easy operation.
- 滴油速率大小可調節，可與客戶機器連接動作。 Drip rate adjustable.

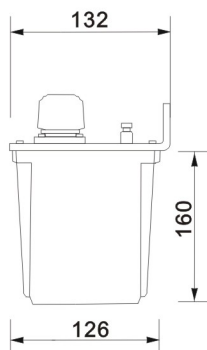


尺寸圖

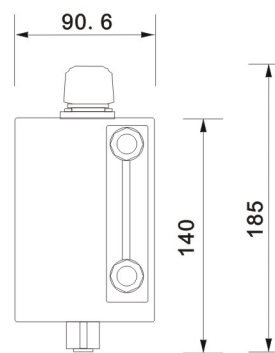
Dimensional drawings



2升 (2 liter)



單位 (Unit): mm



0.8升 (0.8 liter)

規格表

Specifications

型號 Model	YSHT-BA1	YSHT-BA2	YSHT-BA3
容量 Reservoir capacity	3L/4L	3L/4L	0.6L/1L/2L/4L
由箱材質 Tank material	Plastic	Plastic	Iron
電磁閥 Solenoid valve	✓	✓	×
連接部件 Connecting parts	Copper tube	Brush	Brush
液體要求 Liquid requirement	Oil/Water	Oil/Water	Oil/Water
接管長度 Tube length	300mm	300mm	×
用油範圍 Coolant viscosity range	0-68cst	0-68cst	0-68cst

自吸式噴嘴系列

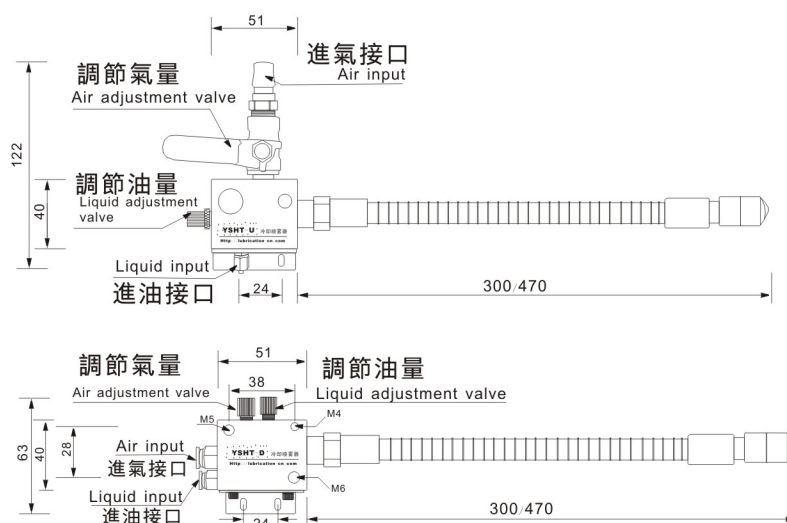
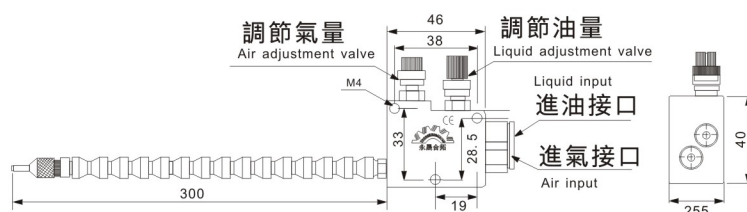
Oil Mist Spray Hose Kits



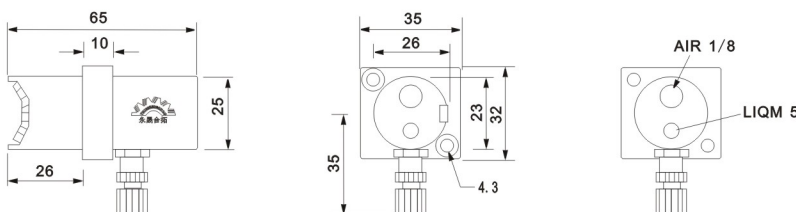
型號 Model	YS-BPV-3000-III
空氣入口徑 Air inlet thread	6mm
液體入口徑 Liquid inlet thread	4mm
標準噴霧管長 Hose length	225mm 300mm
管材質 Hose material	Optional: Plastic/Metal
閥體材質 Valve body	Aluminum alloy
耗水量 Water consumption	16cc/min
耗油量 Lubricant consumption	R32:7cc/min
配帶安裝片 Mounting slice	✓
用油範圍 Coolant viscosity range	0-68cst.
氣壓範圍 Air source pressure range	5-7kgf/cm ²

功能特點 Features

- 自吸式原理，可潔淨加工環境
- 可調節油量氣量大小，操作簡單方便。
- 提高加工精度，可與客戶機器連接動作。
- Based on the self-priming principle, easy to use.
- Both the oil volume and the air volume are individually adjustable and easy to operate.
- Can effectively improve processing accuracy.



型號 Model	YSHT-D	YSHT-U	CS-1200
空氣入口徑 Air inlet thread	6mm	6mm	6mm
液體入口徑 Liquid inlet thread	4mm	4mm	4mm
標準噴霧管長 Hose length	300/470	300/470	×
管材質 Hose material	Optional: Plastic/Metal	Optional: Plastic/Metal	×
閥體材質 Valve body	Aluminum alloy	Aluminum alloy	Aluminum alloy
耗水量 Water consumption	16cc/min	16cc/min	18cc/min
耗油量 Lubricant consumption	R32:7cc/min	R32:7cc/min	R32:9cc/min
配帶安裝片 Mounting slice	✓	✓	✓
用油範圍 Coolant viscosity range	0-68cst.	0-68cst.	0-68cst.
氣壓範圍 Air source pressure range	5-7kgf/cm ²	5-7kgf/cm ²	5-7kgf/cm ²

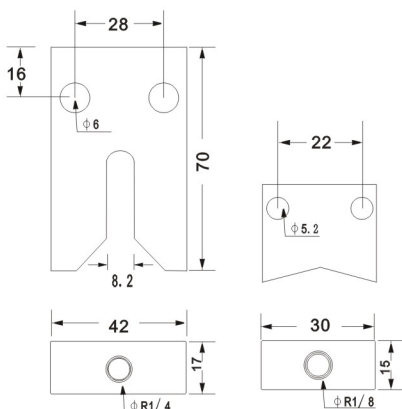
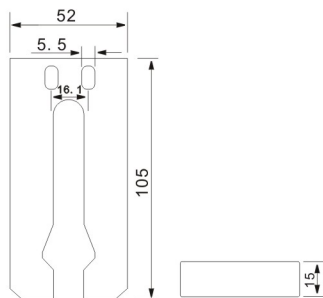
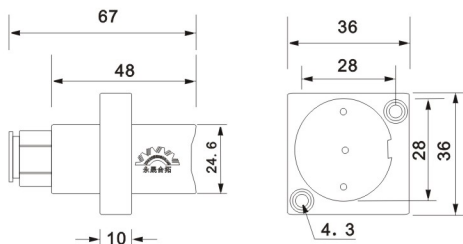


MQL噴嘴系列

MQL Spray Hose Kits

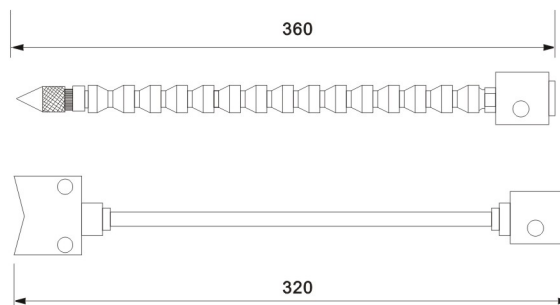
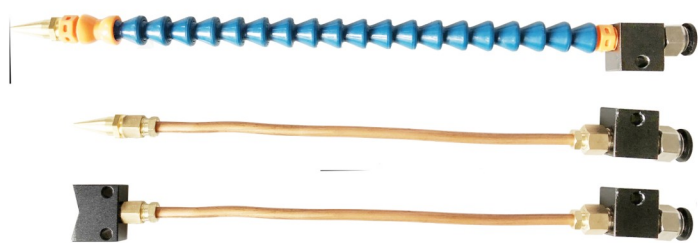
功能特點 Features

- 圓鋸專用噴頭，配合MQL噴霧泵使用。
- 噴頭使用三個角度設計，適用於帶鋸或圓鋸等噴霧。
- Special nozzle for MQL units.
- The nozzles are designed with three angles, suitable for band saws and circular saws.



型號 Model	CS-130-3	DS-89-2-2
空氣入口徑 Air inlet thread	10mm	10mm
液體入口徑 Liquid inlet thread	4mm	4mm
標準噴霧管長 Hose length	×	×
閥體材質 Valve body	Aluminum alloy	Aluminum alloy
耗油量 Lubricant consumption	0.005-0.03cc/min	0.005-0.03cc/min
噴霧角度 Spray angle	130°	89°
配帶安裝片 Mounting slice	✓	×
用油範圍 Coolant viscosity range	30-46cst.	30-46cst.
氣壓範圍 Air source pressure range	5-8kgf/cm ²	5-8kgf/cm ²

型號 Model	DS-90-3	DS-135-2
空氣入口徑 Air inlet thread	10mm	10mm
液體入口徑 Liquid inlet thread	4mm	4mm
標準噴霧管長 Hose length	×	×
閥體材質 Valve body	Aluminum alloy	Aluminum alloy
耗油量 Lubricant consumption	0.005-0.03cc/min	0.005-0.03cc/min
噴霧角度 Spray angle	90°	135°
配帶安裝片 Mounting slice	✓	✓
用油範圍 Coolant viscosity range	30-46cst.	30-46cst.
氣壓範圍 Air source pressure range	5-8kgf/cm ²	5-8kgf/cm ²



型號 Model	AS-300-1	AS-300-2
空氣入口徑 Air inlet thread	10mm	10mm
液體入口徑 Liquid inlet thread	4mm	4mm
標準噴霧管長 Hose length	300	300
管材質 Hose material	Plastic	Metal
閥體材質 Valve body	Aluminum alloy	Aluminum alloy
耗油量 Lubricant consumption	0.005-0.03cc/min	0.005-0.03cc/min
配帶安裝片 Mounting slice	×	×
用油範圍 Coolant viscosity range	30-46cst.	30-46cst.
氣壓範圍 Air source pressure range	5-8kgf/cm ²	5-8kgf/cm ²

MQL微量噴霧泵

MQL Pump Units

YSHT-2551A

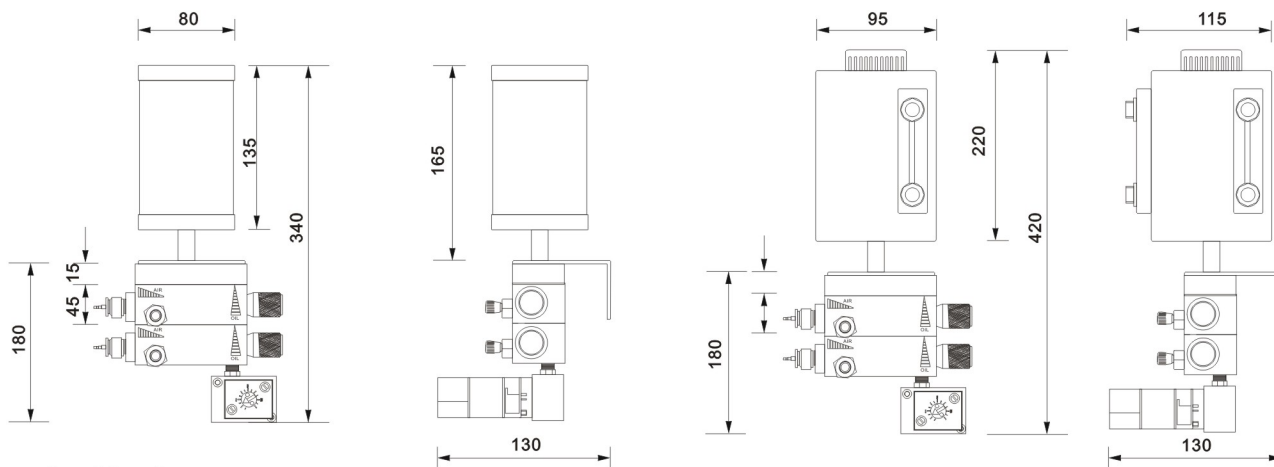


功能特點 Features

- 節省油量，降低成本，可顯著改善加工情況。
- 脈衝控制噴霧時間更精準，噴霧時間可控制到0.1秒每次。
- 精確地噴塗到切削區域，對刀具和工件進行冷卻潤滑。
- 對於工作環境要求較高的場合。
- 適用於各種金屬切削加工場合。
- 適用液體為純淨潤滑油、微量植物油等。
- Save oil, reduce costs, and significantly improve the processing environment.
- Pulse control, the spray time accuracy reaches 0.1 second each time, time control is more precise.
- Precisely spray on the cutting area to cool and lubricate the tool and workpiece.
- Suitable for high working requirements scenarios.
- Suitable for various metal cutting and processing application.
- Applicable liquids are pure lubricating oil, vegetable oil, etc.

尺寸圖

Dimensional drawings



規格表

Specifications

單位 (Unit): mm

型號 Model	YSHT2551A-AP	YSHT2551A-AM
容量 Reservoir capacity	0.6L 2L 4L(Plastic)	0.6L 1L 2L 4L(IRON)
控制方式 Control type	PLC	PLC
保護箱 Protective Shell	X	X
電壓 Voltage	Optional	Optional
電磁閥 Solenoid valve	Optional	Optional
缺油報警 Level switch	Optional	Optional
空氣入口徑 Air inlet thread	1/4PT	1/4PT
液體入口徑 Liquid inlet thread	Air 10mm Oil 4mm	Air 10mm Oil 4mm
泵浦供油量 Oil supply volume	0.005-0.03cc	0.005-0.03cc
泵浦供油頻率 Oil supply frequency	1-15sec	1-15sec
最大使用壓力 Max operating pressure	8 bar	8 bar
環境溫度 Working temperature	5° C-60° C	5° C-60° C

YSHT-2551B

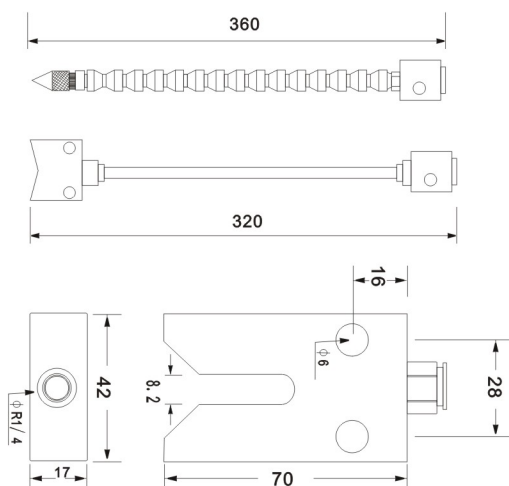
■ 功能特點 Features



- 節省油量，降低成本，可顯著改善加工情況。
- 帶保護箱，防止粉塵堵塞。
- 脈衝控制噴霧時間更精準，噴霧時間可控制到0.1秒每次。
- 精確地噴塗到切削區域，對刀具和工件進行冷卻潤滑。
- 對於工作環境要求較高的場合。
- 適用於各種金屬切削加工場合。
- 適用液體為純淨潤滑油、微量植物油等。
- Save oil, reduce costs, and significantly improve the processing environment.
- With protective box to prevent clogging by dust.
- Pulse control, the spray time accuracy reaches 0.1 second each time, time control is more precise.
- Precisely spray on the cutting area to cool and lubricate the tool and workpiece.
- Suitable for high working requirements scenarios.
- Suitable for various metal cutting and processing application.
- Applicable liquids are pure lubricating oil, vegetable oil, etc.
- 油/氣冷卻潤滑加工可延長刀具壽命，提高生產效率和品質。
- 降低加工成本提高環境保護，經實際測試可降低刀具磨損耗20%–200%，電力消耗測試比水泵浦減少40%用電量。
- Oil/Air cooling lubricating can significantly extend tool life, improve production efficiency and product quality.
- Reduce processing costs and improve environmental protection. After actual tests, tool loss can be reduced by 20%-50%, and electricity consumption is 40% less than water pumps.

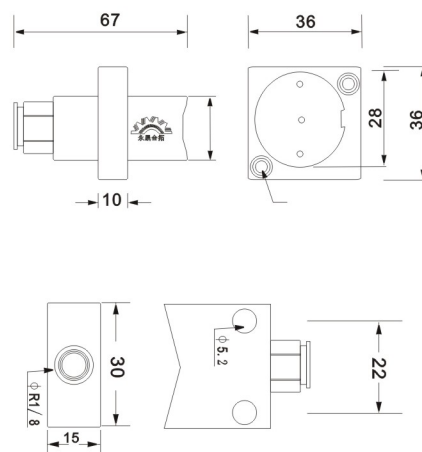
■ 噴頭選配 Spray Nozzles Selection

A-S-300噴頭



DS-90-3帶鋸噴頭

CS-130-3圓鋸噴頭



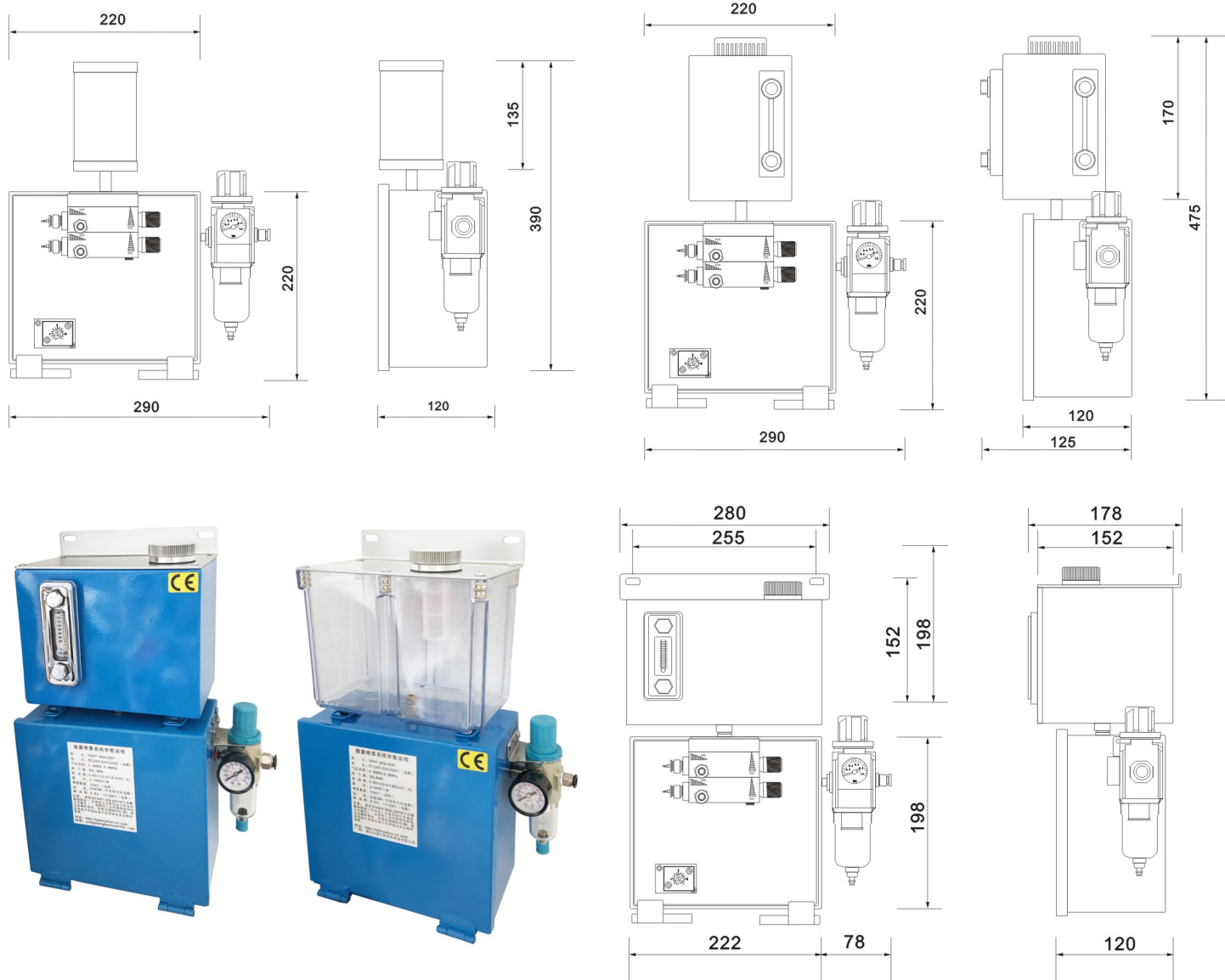
DS-135-2帶鋸噴頭

MQL 微量噴霧泵

MQL Pump Units

尺寸圖

Dimensional drawings



單位 (Unit): mm

規格表

Specifications

型號 Model	YSHT2551A-BP	YSHT2551A-BM
容量 Reservoir capacity	0.6L 2L 4L(Plastic)	0.6L 1L 2L 4L(IRON)
控制方式 Control type	PLC	PLC
保護箱 Protective Shell	✓	✓
電壓 Voltage	AC220V/DC24V	AC220V/DC24V
電磁閥 Solenoid valve	✓	✓
缺油報警 Level switch	✓	✓
空氣入口徑 Air inlet thread	1/4PT	1/4PT
液體入口徑 Liquid inlet thread	Air 10mm Oil 4mm	Air 10mm Oil 4mm
泵浦供油量 Oil supply volume	0.005-0.03cc	0.005-0.03cc
泵浦供油頻率 Oil supply frequency	1-15sec	1-15sec
最大使用壓力 Max operating pressure	8 bar	8 bar
環境溫度 Working temperature	5° C-60° C	5° C-60° C

MQL微量潤滑系統簡介：

機器使用者可以通過使用微量潤滑系統（MQL）顯著降低生產成本。由于更精確的表面加工，這些系統可以實現更長的刀具壽命，提高產品質量。微量潤滑系統系統不需要冷卻潤滑劑，因此可以節約潤滑劑、相關的潤滑劑過濾器、制備系統的成本和處置。此外還不需要清理工件和碎屑。

MQL introduction:

Machine operators can reduce production costs significantly by using minimal quantity lubrication systems (MQL). These systems provide longer tool life and improved production quality due to more precise surface machining. Because MQL systems do not require cooling lubricant, the cost of that lubricant, its associated lubricant filters, preparation systems and disposal is eliminated. Also workpieces and chippings do not need to be cleaned.

MQL微量潤滑系統的特點：

延長切削工具使用壽命。

提高切削速度，提高生產效率。

降低維護成本。

實現了更好的加工表面質量。

降低燃料消耗及CO2排放量。

Features:

Extends the service life of the cutting tool.

Increases productivity with higher cutting speed.

Reduces maintenance costs.

Enables better machining surface and quality.

Reduces energy consumption and CO2 emissions.

應用範圍 Applications:

磨粉 Milling
 滾動 Rolling
 切割 Cutting
 鑽孔 Drilling
 打孔 Boring
 成形 Forming

規格表

Specifications



型號 Model	YSHT2551A-A	YSHT2551A-B	YSHT2551A-C
外觀	透明液体	透明液体	透明液体
顏色	淡红色	淡蓝色	淡黄色
適用金屬品種	铝材 亚克力等	铝材 铜材亚克力等	钢材 铜材等
黏度	38Cst	38Cst	38Cst
閃火點	>320C	>330C	>350C
基礎油	Oil	Oil	Oil
氯含量	×	×	×
抗凍溫度	-26C	-26C	-26C
金屬腐蝕測試	×	×	×
空氣中燃爆上限	28.8	28.8	28.8
空氣中燃爆下限	39.6	39.6	39.6